



Electrical Circuit Diagrams

Elektrische Circuitdiagrammen

Schémas électriques

Elektrische Schaltpläne

Schemi elettrici

Esquemas de Circuitos Eléctricos

Diagramas dos Circuitos Eléctricos

CONTENTS

ELECTRICAL CIRCUIT DIAGRAMS

LRL 0189ENG

POWER DISTRIBUTION		
Fuse Boxes.....	1.1	
Headers	1.4	
EARTH DISTRIBUTION	2.1	
ENGINE IMMOBILISATION	3.1	
ANTI-THEFT ALARM	3.2	
CHARGING AND STARTING		
V8	4.1	
DIAGNOSTIC SOCKET.....	10.1	
ENGINE MANAGEMENT		
GEMS.....	20.1	
AIR CONDITIONING	38.1	
HEATER.....	39.1	
HEATED REAR SCREEN	40.1	
WIPERS AND WASHERS	42.1	
EXTERIOR LAMPS		
Brake and reverse lamps	43.1	
Head, side and tail lamps	43.2	
Headlamp levelling	43.4	
Rear fog lamps.....	43.5	
INDICATORS AND HAZARDS	44.1	
INTERIOR LAMPS	45.1	
INTERIOR ILLUMINATION	46.1	
INSTRUMENTS	47.1	
CIGAR LIGHTER	48.1	
HORNS	48.2	
IN-CAR ENTERTAINMENT	50.1	

COLOUR CODES**DRAADKLEURCODES****CODES DES COULEURS DES FILS****KABELFARBCODES****CODICI COLORI DEI CAVI****CÓDIGOS DE COLORES DE LOS CABLES****CÓDIGOS DAS CORES DOS FIOS**

CODE COLOUR	CODE KLEUR	CODE COULEUR	CODE FARBE	CODICE COLORE	CODIGO COLOR	CÓDIGO COR
B BLACK	B ZWART	B NOIR	B SCHWARZ	B NERO	B NEGRO	B PRETO
G GREEN	G GROEN	G VERT	G GRÜN	G VERDE	G VERDE	G VERDE
K PINK	K ROZE	K ROSE	K ROSA	K ROSA	K ROSA	K ROSA
LG LIGHT GREEN	LG LICHTGROEN	LG VERT CLAIR	LG HELLGRÜN	LG VERDE CHIARO	LG VERDE CLARO	LG VERDE CLARO
N BROWN	N BRUIN	N BRUN	N BRAUN	N MARRONE	N MARRON	N CASTANHO
O ORANGE	O ORANJE	O ORANGE	O ORANGE	O ARANCIONE	O NARANJA	O LARANJA
P PURPLE	P PAARS	P VIOLET	P LILA	P PORPORA	P PURPURA	P ROXO
R RED	R ROOD	R ROUGE	R ROT	R ROSSO	R ROJO	R VERMELHO
S SLATE (grey)	S LEIGRIJS	S GRIS	S GRAU	S ARDESIA (grigio)	S PIZARRA (gris)	S CINZENTO
U BLUE	U BLAUW	U BLEU	U BLAU	U BLU	U AZUL	U AZUL
W WHITE	W WIT	W BLANC	W WEISS	W BIANCO	W BLANCO	W BRANCO
Y YELLOW	Y GEEL	Y JAUNE	Y GELB	Y GIALLO	Y AMARILLO	Y AMARELO

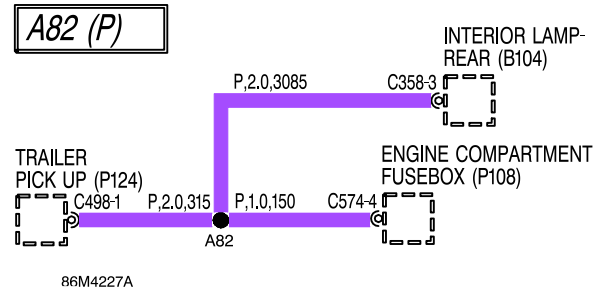
HOW TO USE THE CIRCUIT DIAGRAMS

All of the information in this folder is intended for use with the Defender V8i Electrical Reference Library booklet.

The circuit diagrams are presented with Power and Earth distribution first, followed by individual circuits for each electrical system on the car.

Power Distribution

The Power Distribution diagram shows the connections from the battery to the engine and passenger compartment fuseboxes. It also shows the internal circuitry of the fuseboxes.



These fuse box details are followed by a Headers and Splices section outlining the way in which internal harness splices and header joints distribute power in the harnesses. This information should be used during diagnosis of electrical faults to check for symptoms in associated circuits and narrow down the search area.

Headers and splices

Header and splice tables present the joint(s) and wiring up to the first component. Splices are identified by a number with an alphabetical prefix and the wire colour.

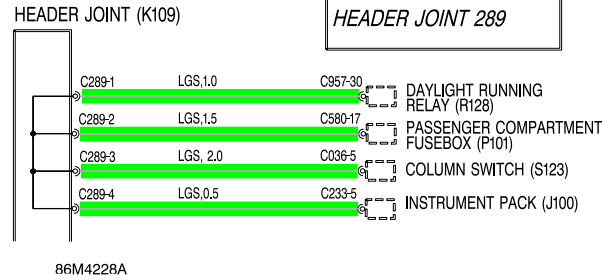
Wire attributes

Additional information (separated by a ',') is shown alongside the wire colour: Wire gauge - the cross-sectional area of the wire in square millimetres. This is included to help you select the correct wire during harness repair. Wire length (Power & Earth Distribution only) - the length of the wire in millimetres. This can be used to locate internal harness splices; look for the shortest wire between the joint and connector. For example, it can be seen that C574-4 is 150mm from joint A82.

Earth Distribution

The ground distribution section comprises a number of Headers and Splices tables. These are used in a similar manner to those in Power Distribution; to narrow the search area by checking for fault symptoms in associated circuits.

Connectors

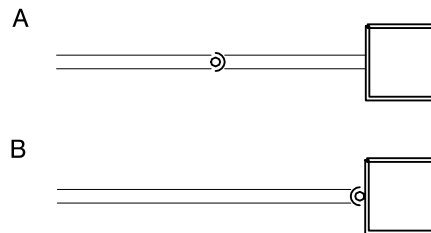


Header joints are identified by their corresponding connector number with a numbered suffix to indicate the pin-out detail of the wire, i.e. C289-1 identifies connector 289, pin number 1. Wire insulation colour is identified in the normal way. Where wires have a predominant colour with a secondary colour stripe, the main colour is identified first, i.e. LGS - Light Green with a Slate stripe.

Line Types



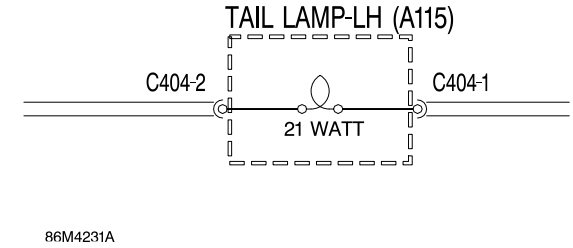
This means the wire connects to another circuit.



The cup and ball symbol indicates the male and female halves of connector.

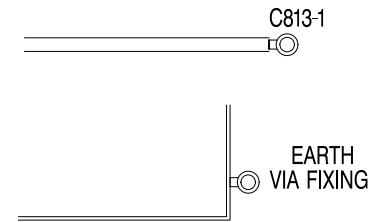
- A. Plug on lead (Flylead) wired directly to the component.
- B. Connector plugs directly into component.

Components



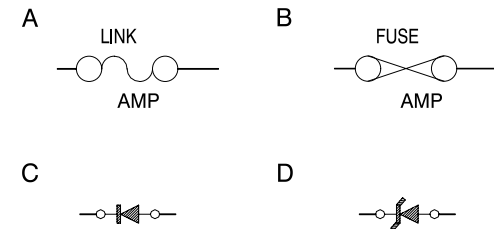
The name or description of the component is shown. A dotted outline indicates that the component is not shown in its entirety.

Earth points



Earth points are identified with an eyelet symbol and a connector number, except where components are grounded through their fixings, when only the eyelet is shown.

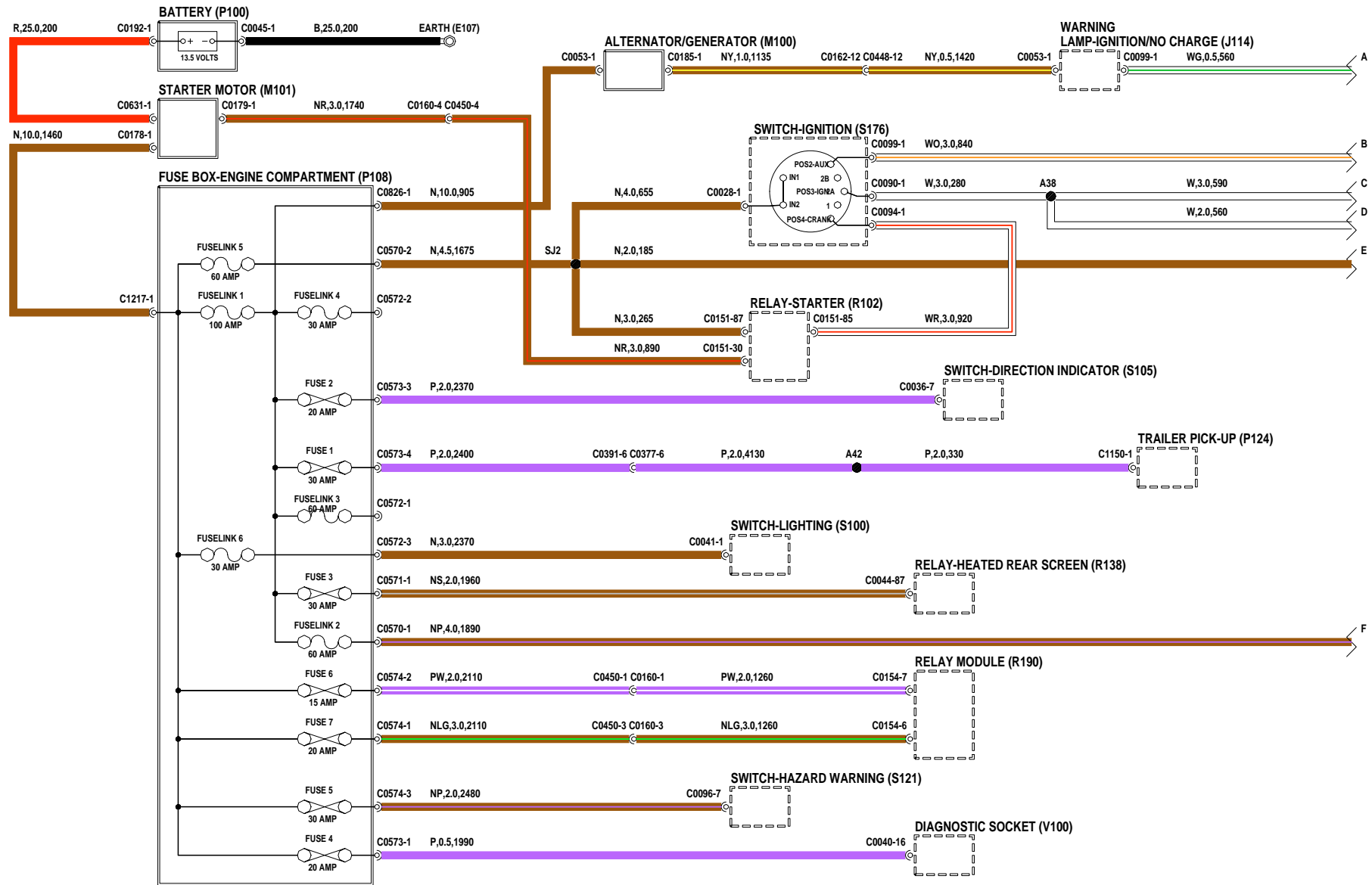
Fuses and Diodes



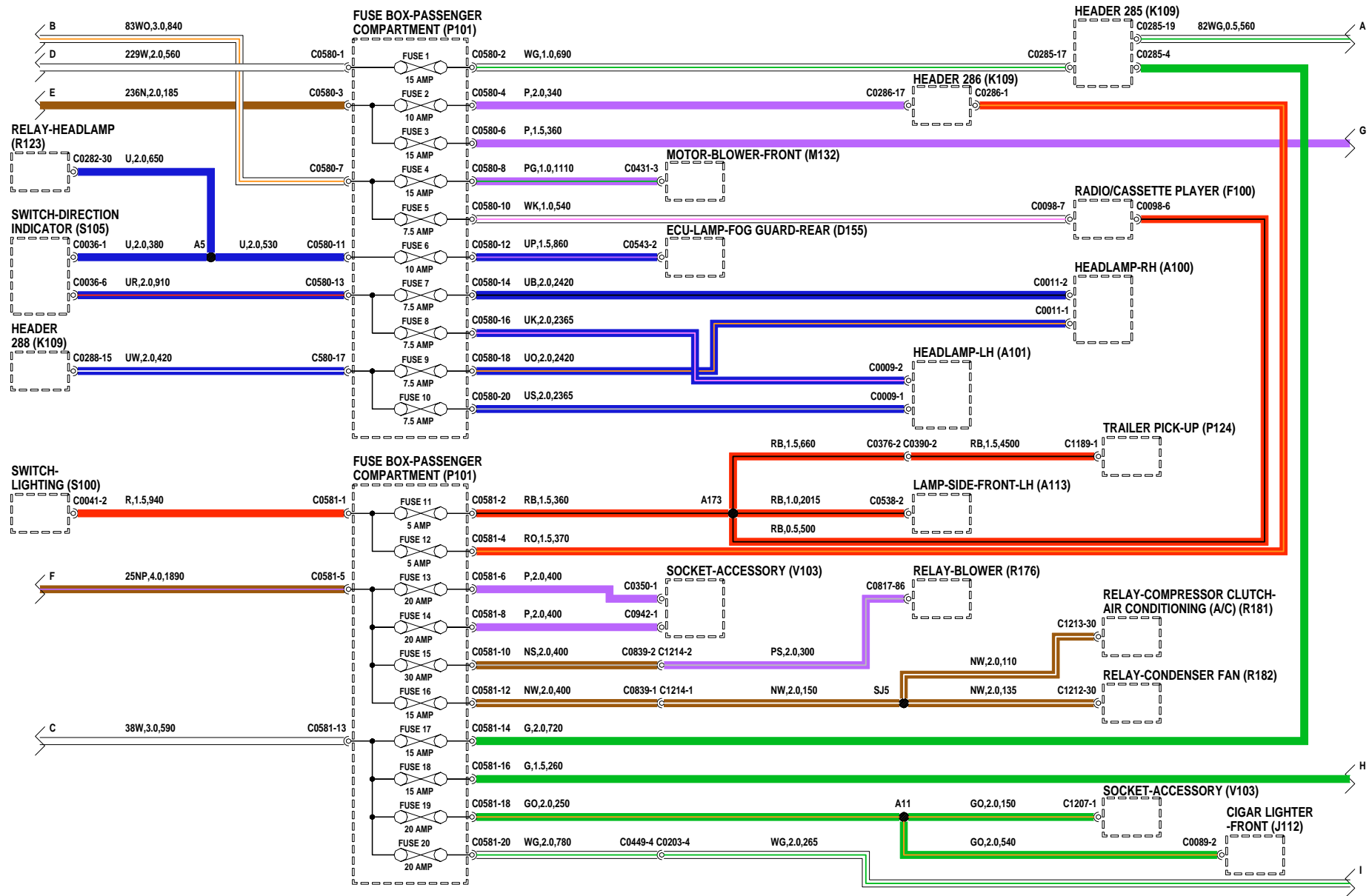
Fusible links (A) and current rated fuses (B) are identified as shown.

The direction of the arrow in a Diode symbol (C) indicates the direction of current flow. The Zener diode (D) - prevents current flow until a precise voltage is reached.

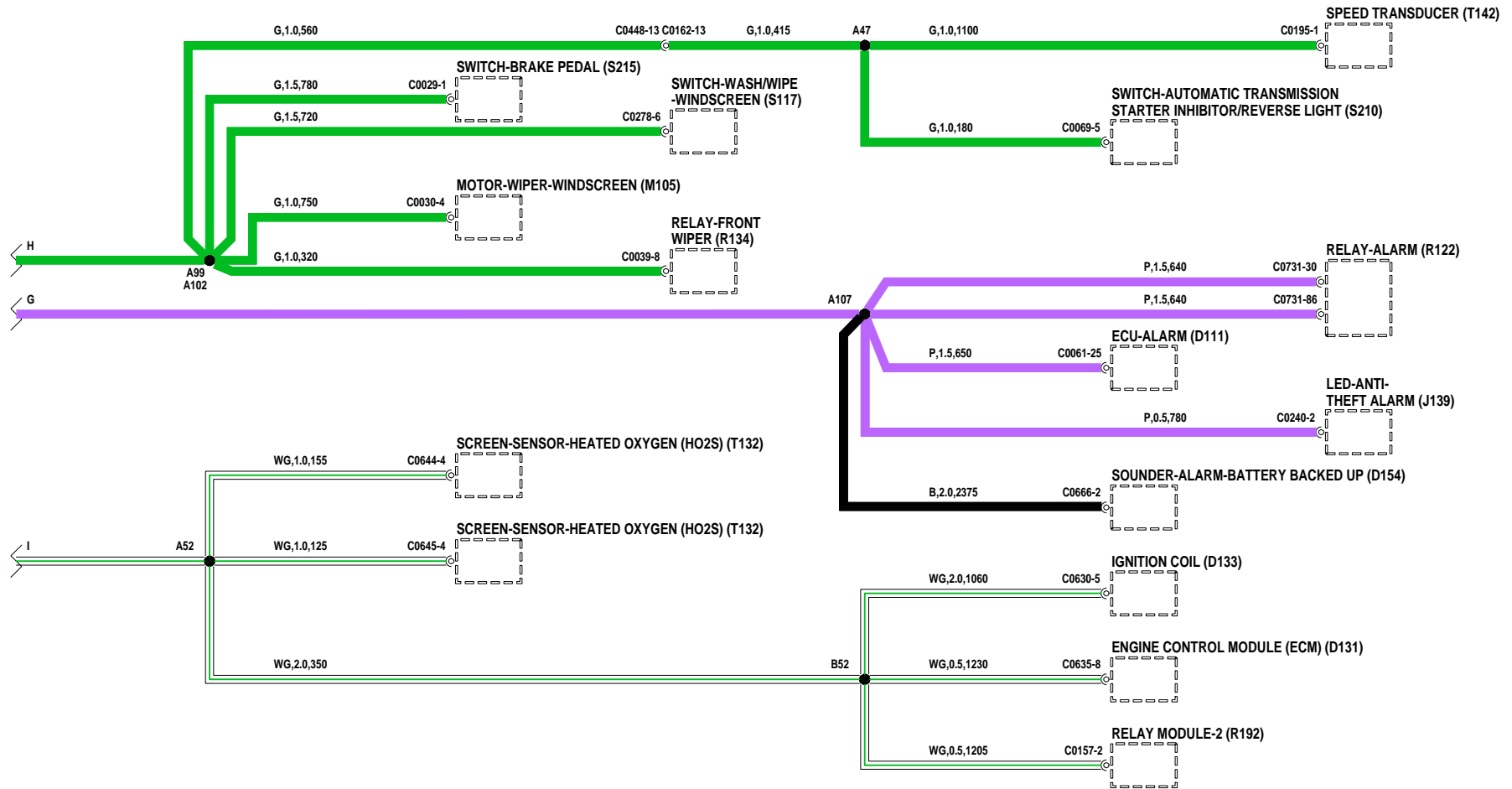
POWER DISTRIBUTION FUSE BOXES



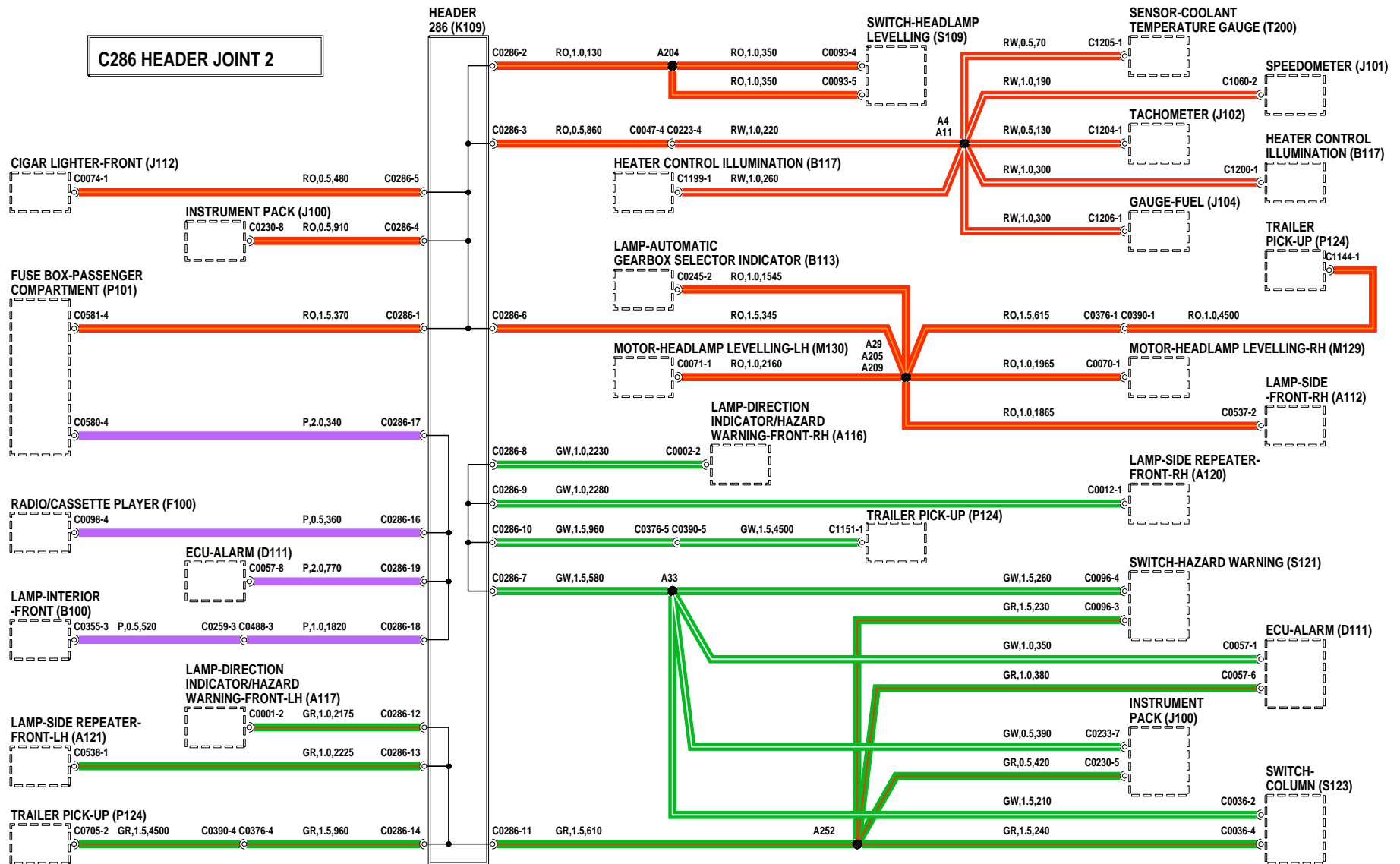
POWER DISTRIBUTION FUSE BOXES



POWER DISTRIBUTION FUSE BOXES

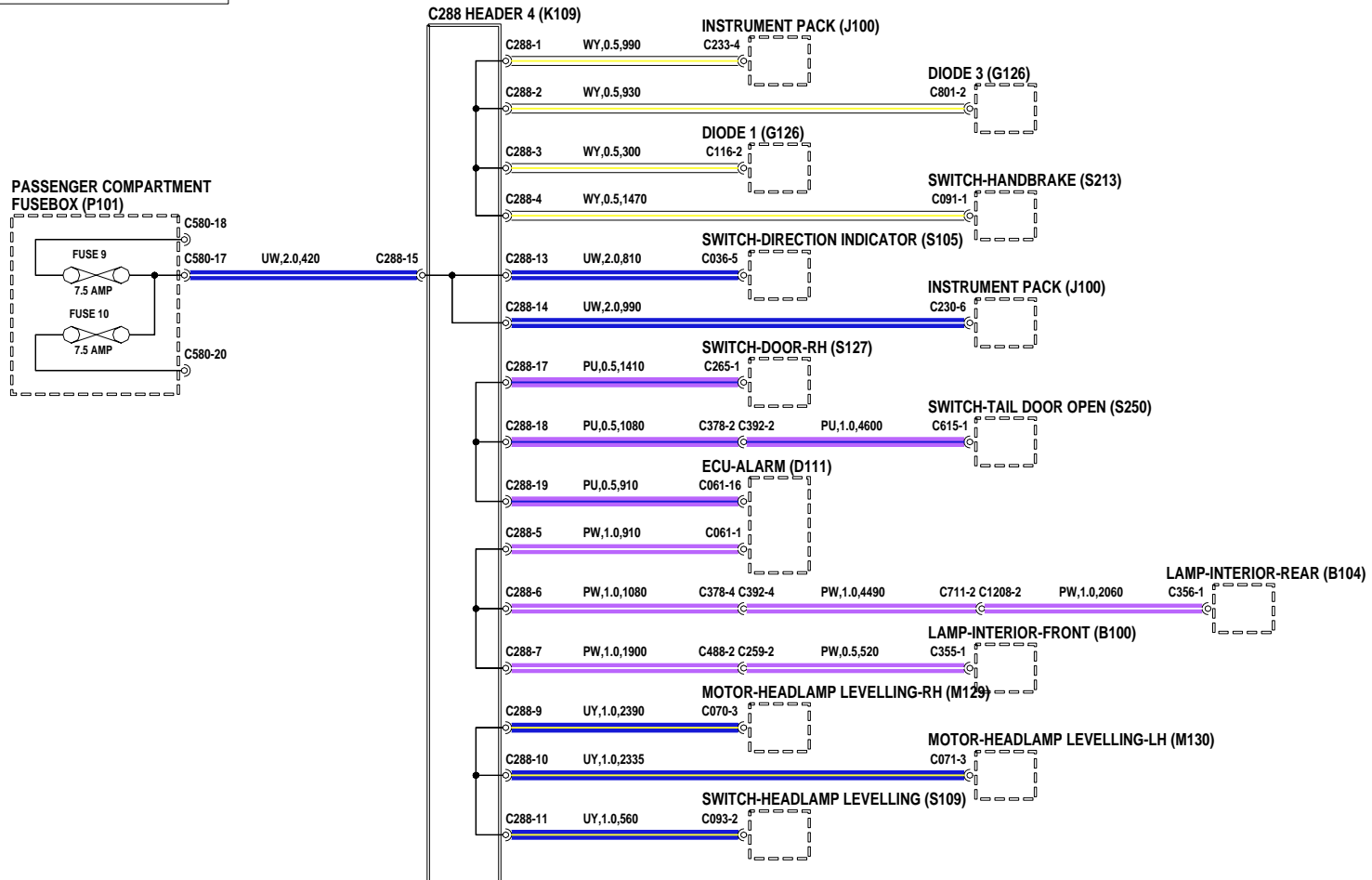


POWER DISTRIBUTION HEADERS

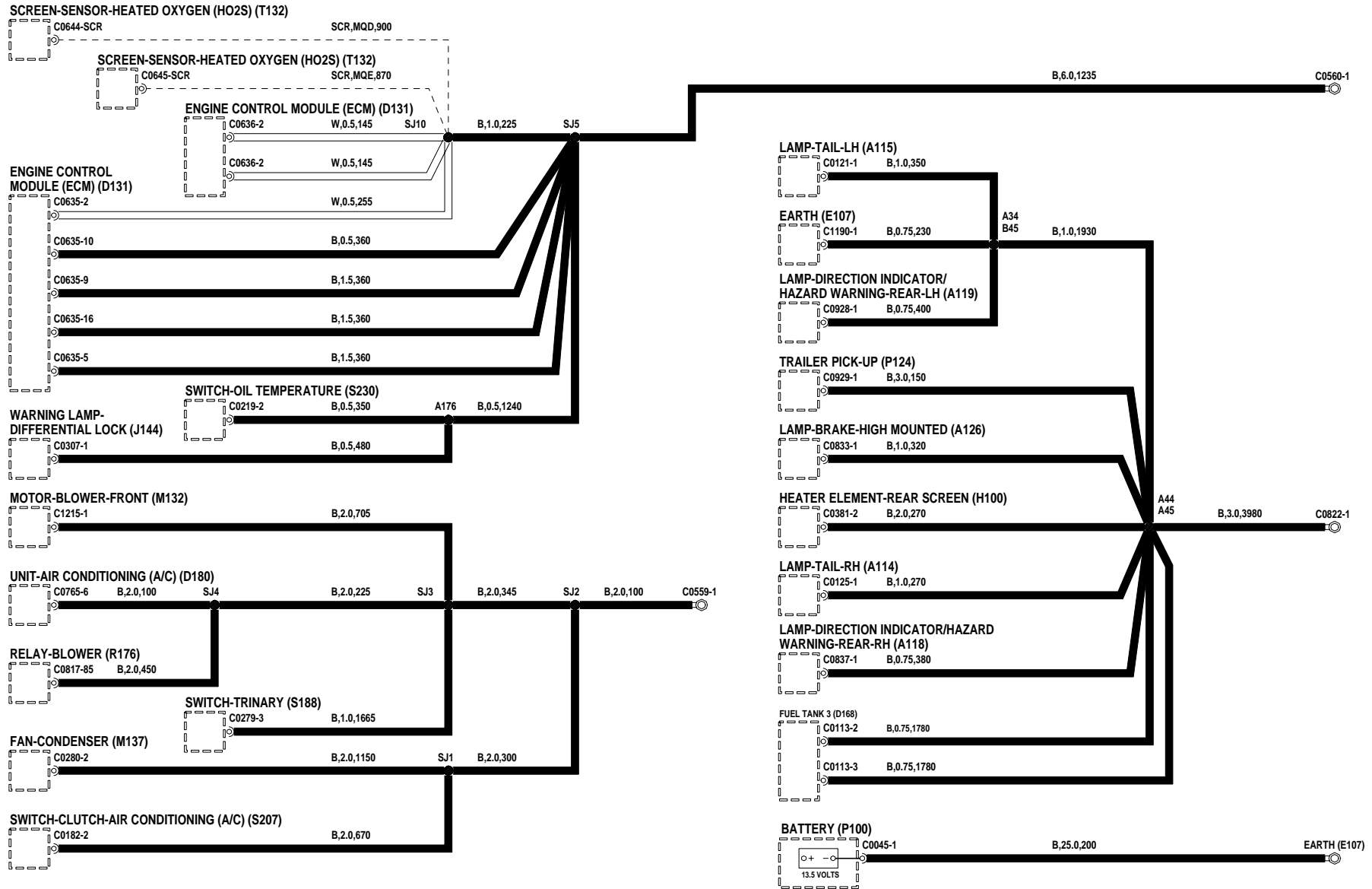


POWER DISTRIBUTION HEADERS

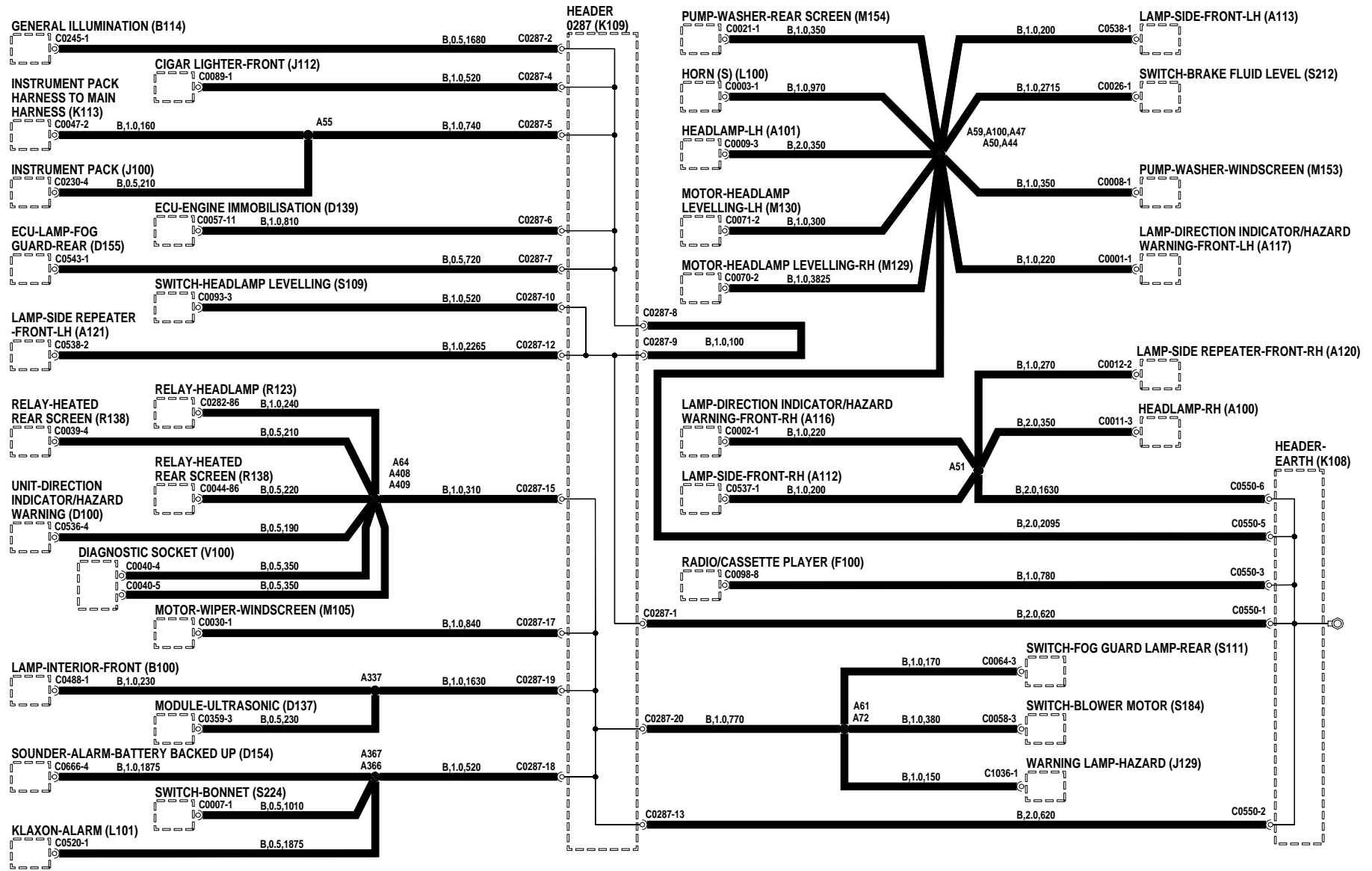
C288 HEADER JOINT 4



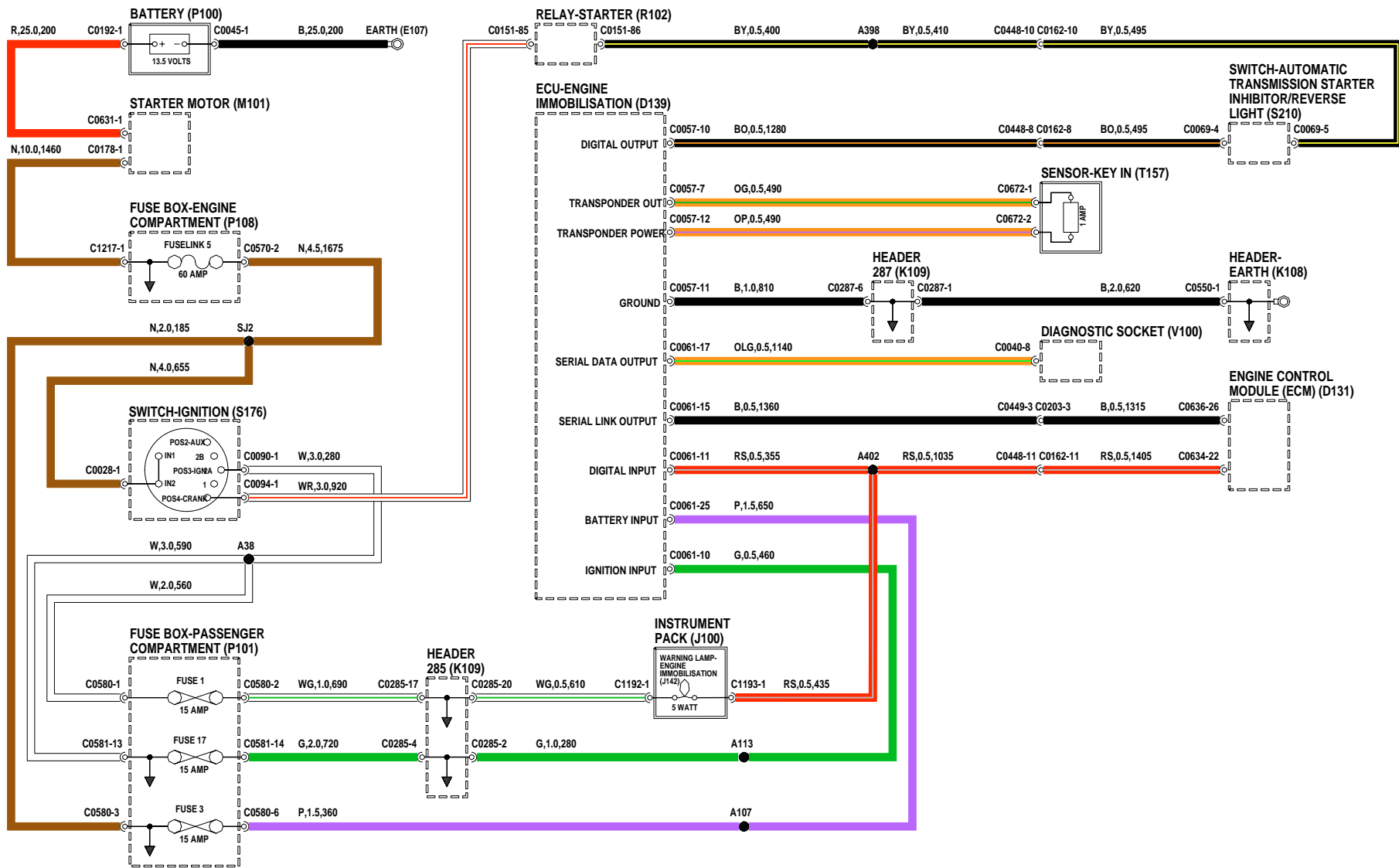
EARTH DISTRIBUTION



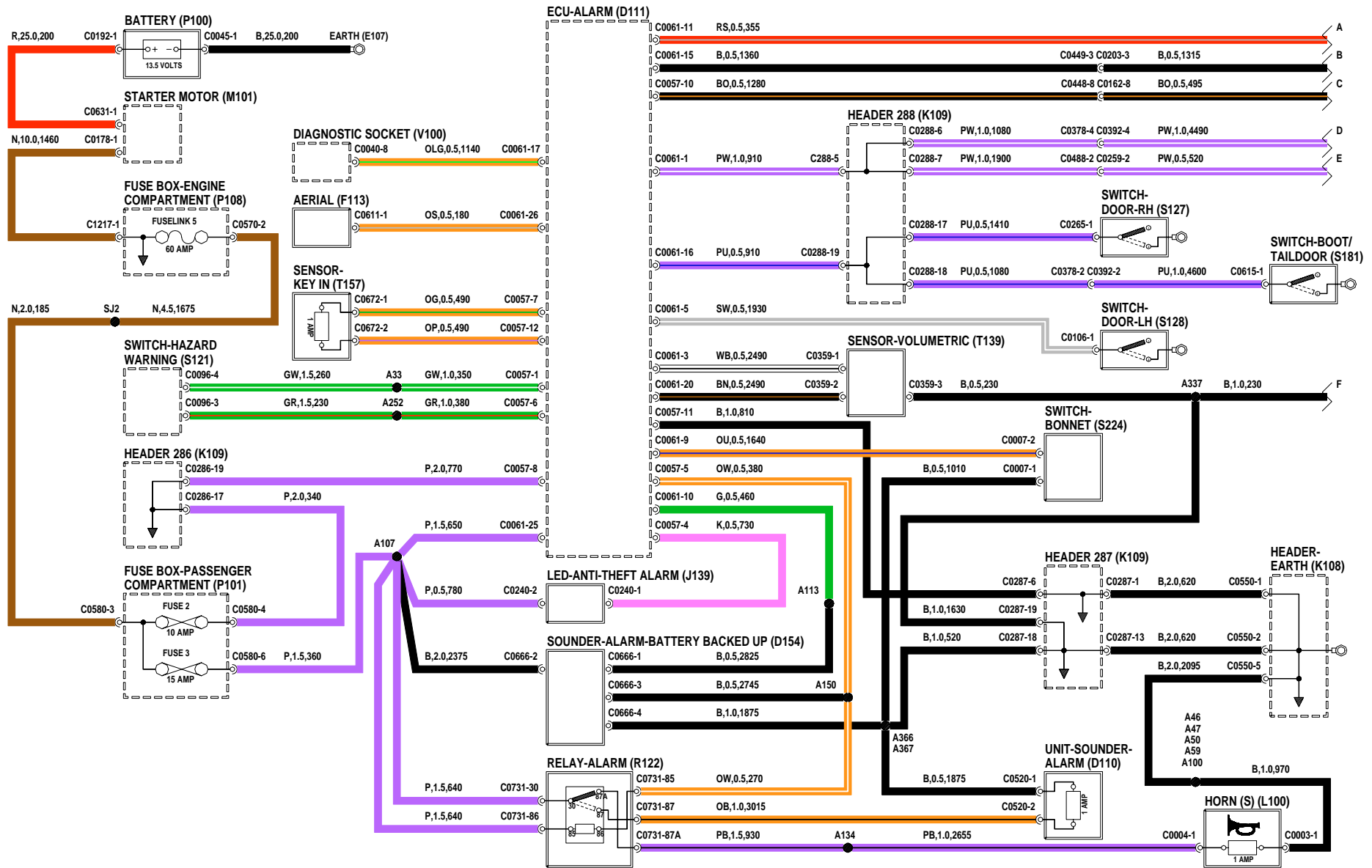
EARTH DISTRIBUTION



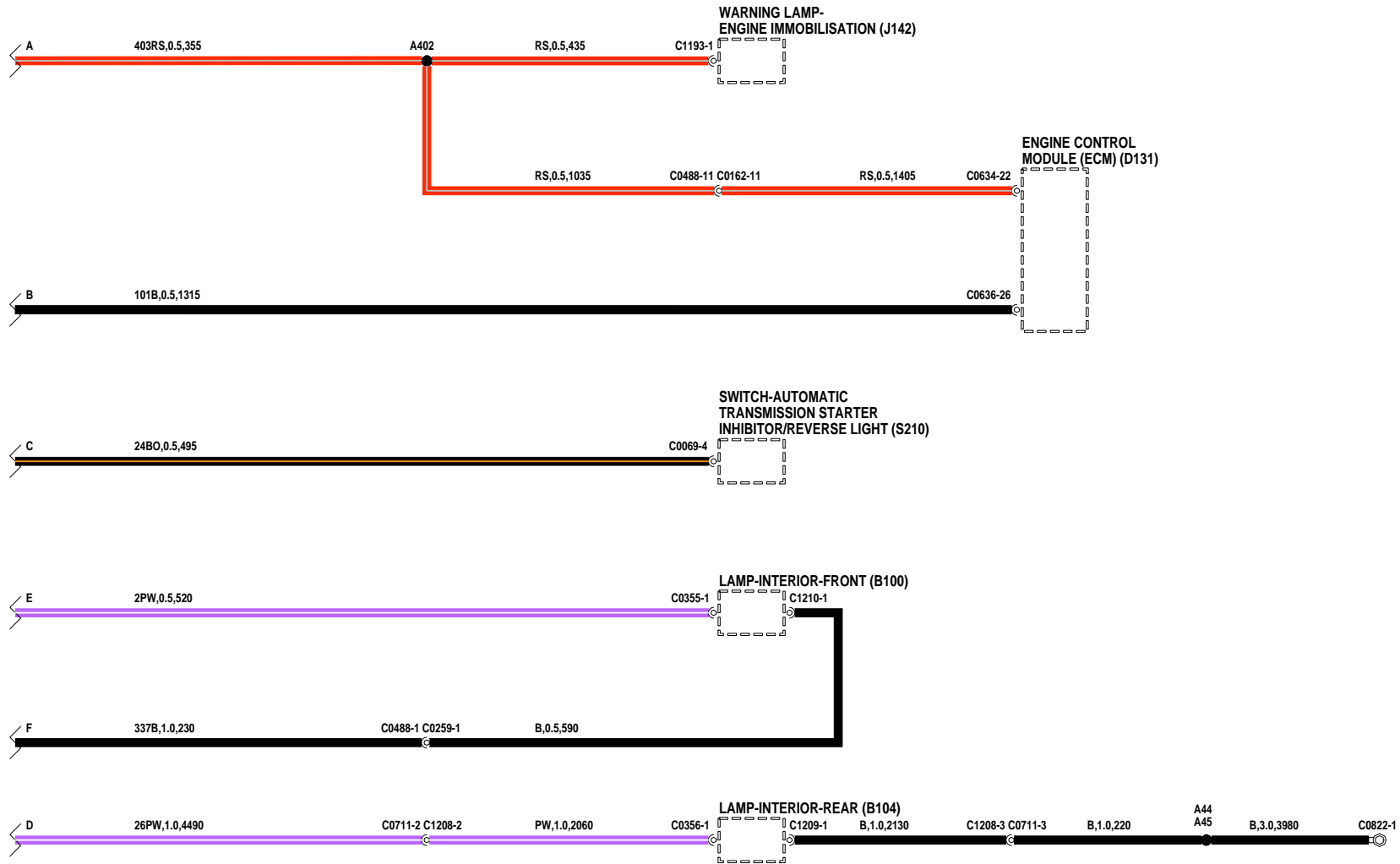
ENGINE IMMOBILISATION



ANTI-THEFT ALARM

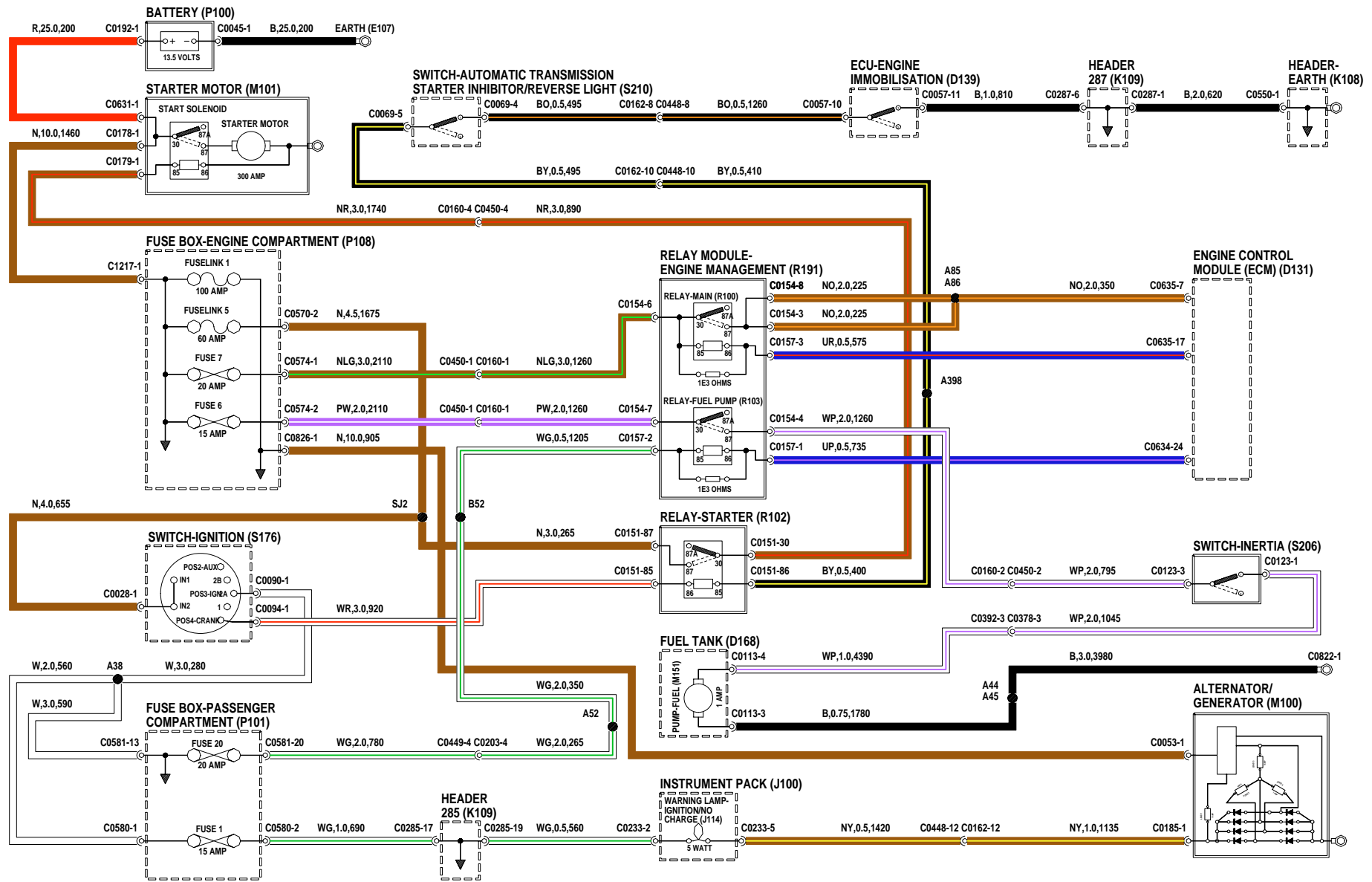


ANTI-THEFT ALARM

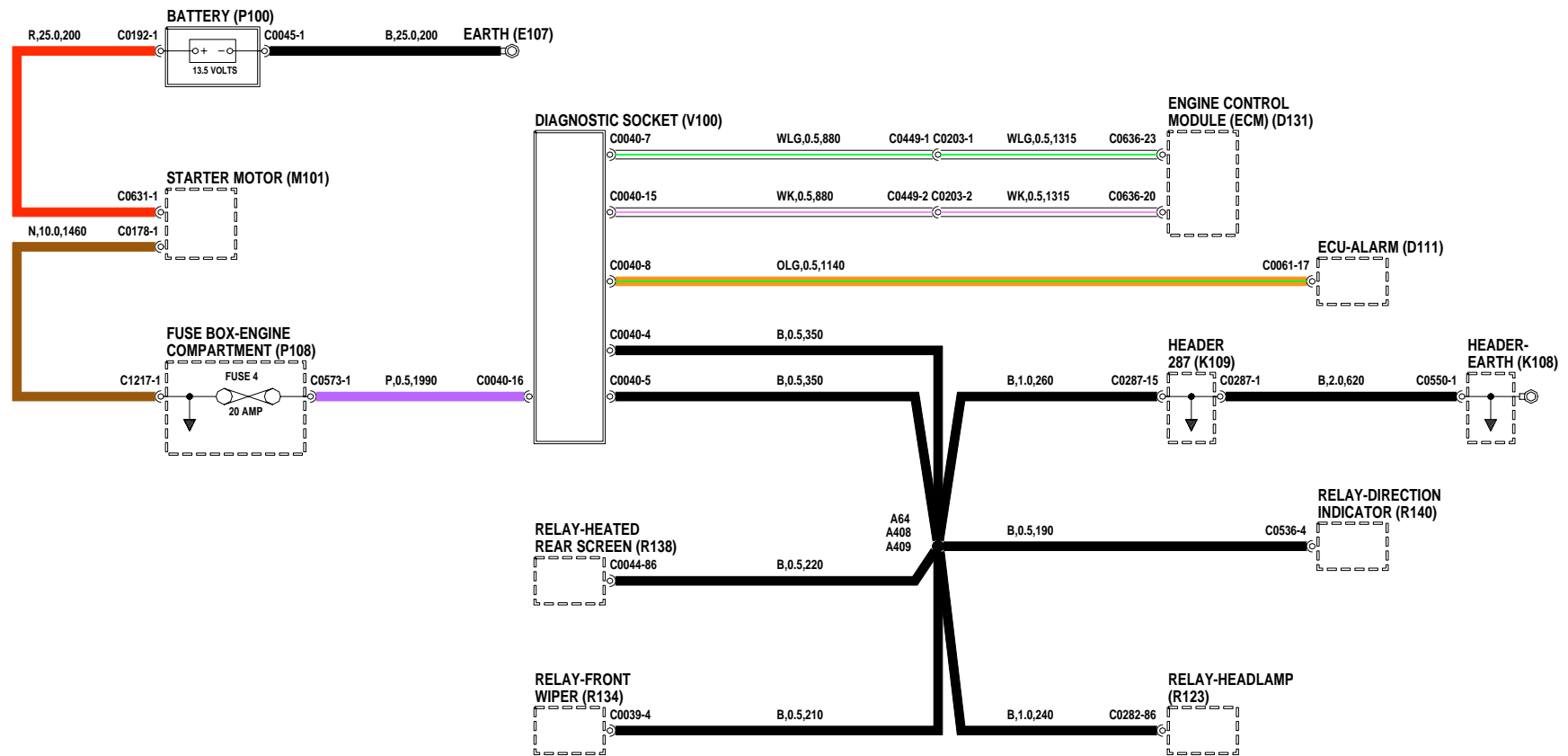


CHARGING AND STARTING

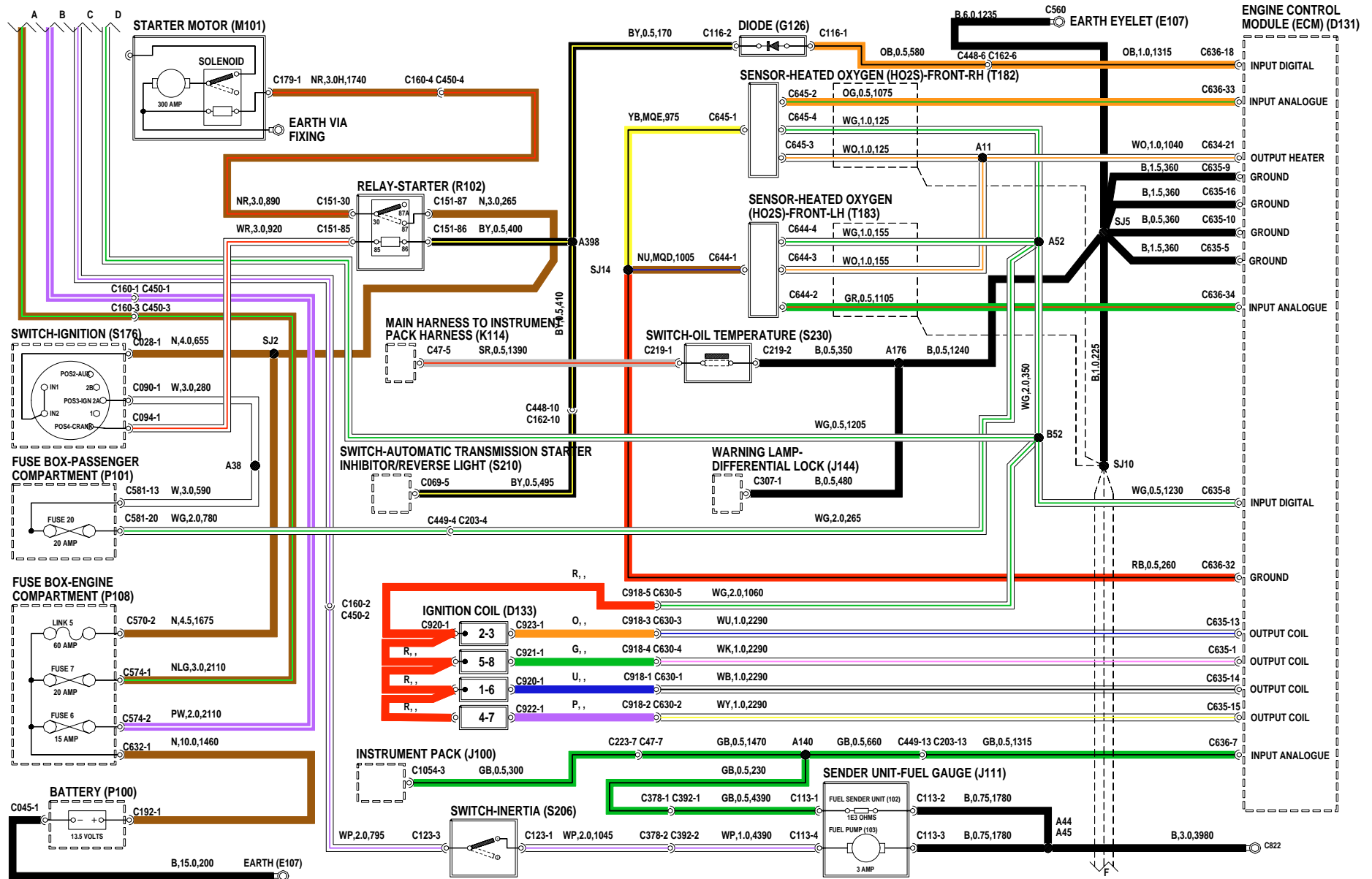
V8



DIAGNOSTIC SOCKET



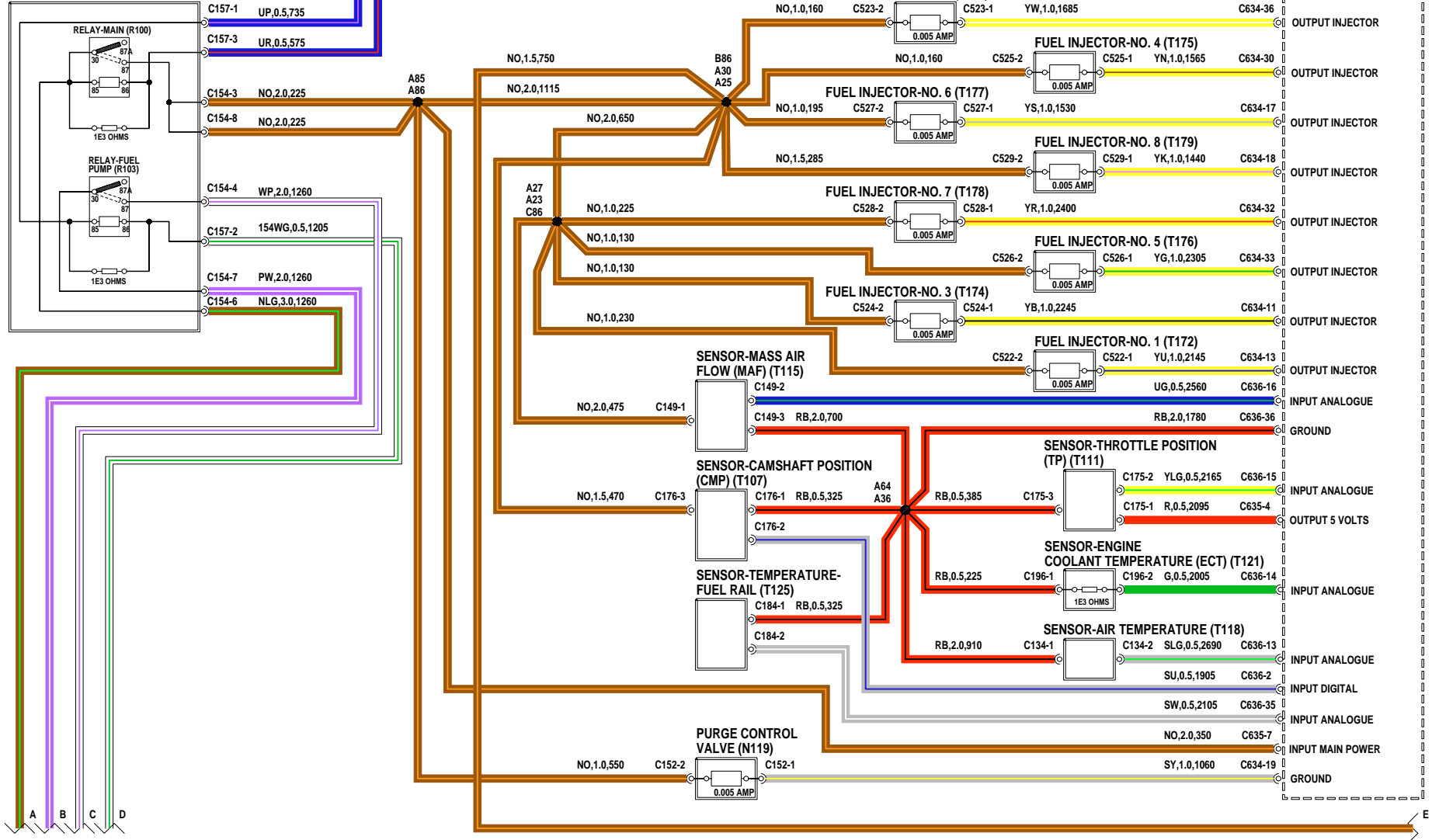
ENGINE MANAGEMENT GEMS



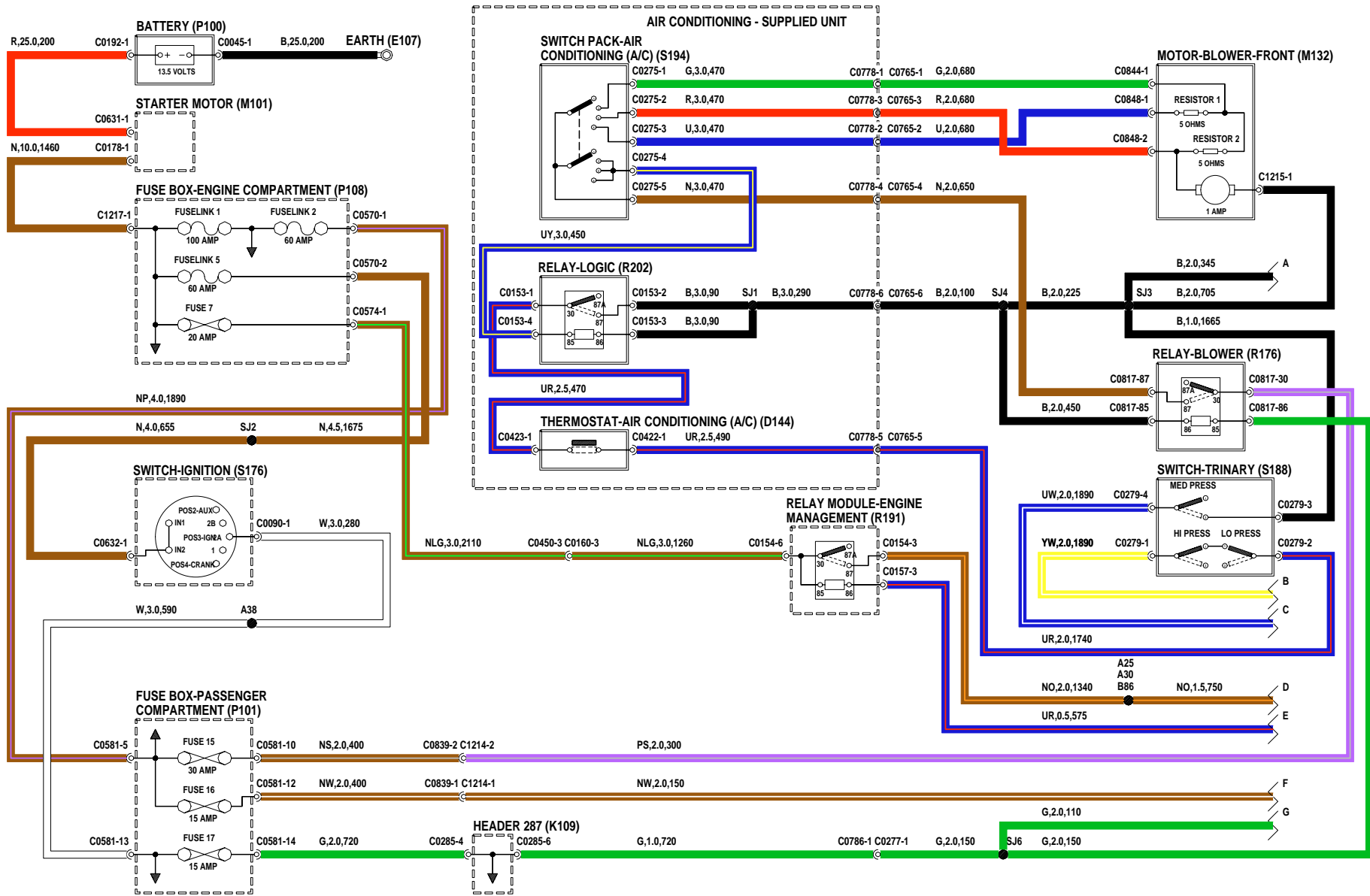
ENGINE MANAGEMENT GEMS

ENGINE CONTROL MODULE (ECM) (D131)

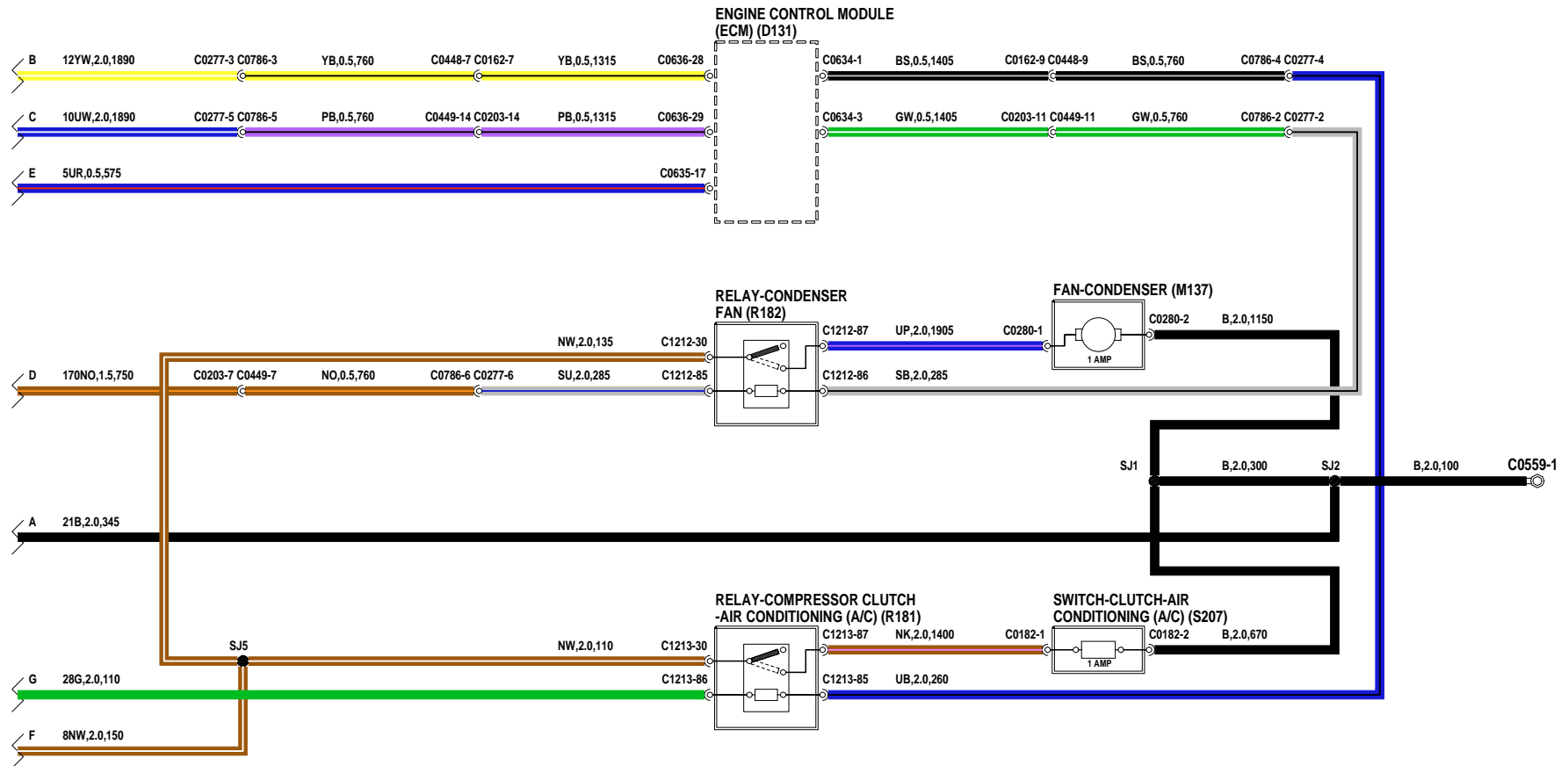
RELAY MODULE-ENGINE MANAGEMENT (R191)



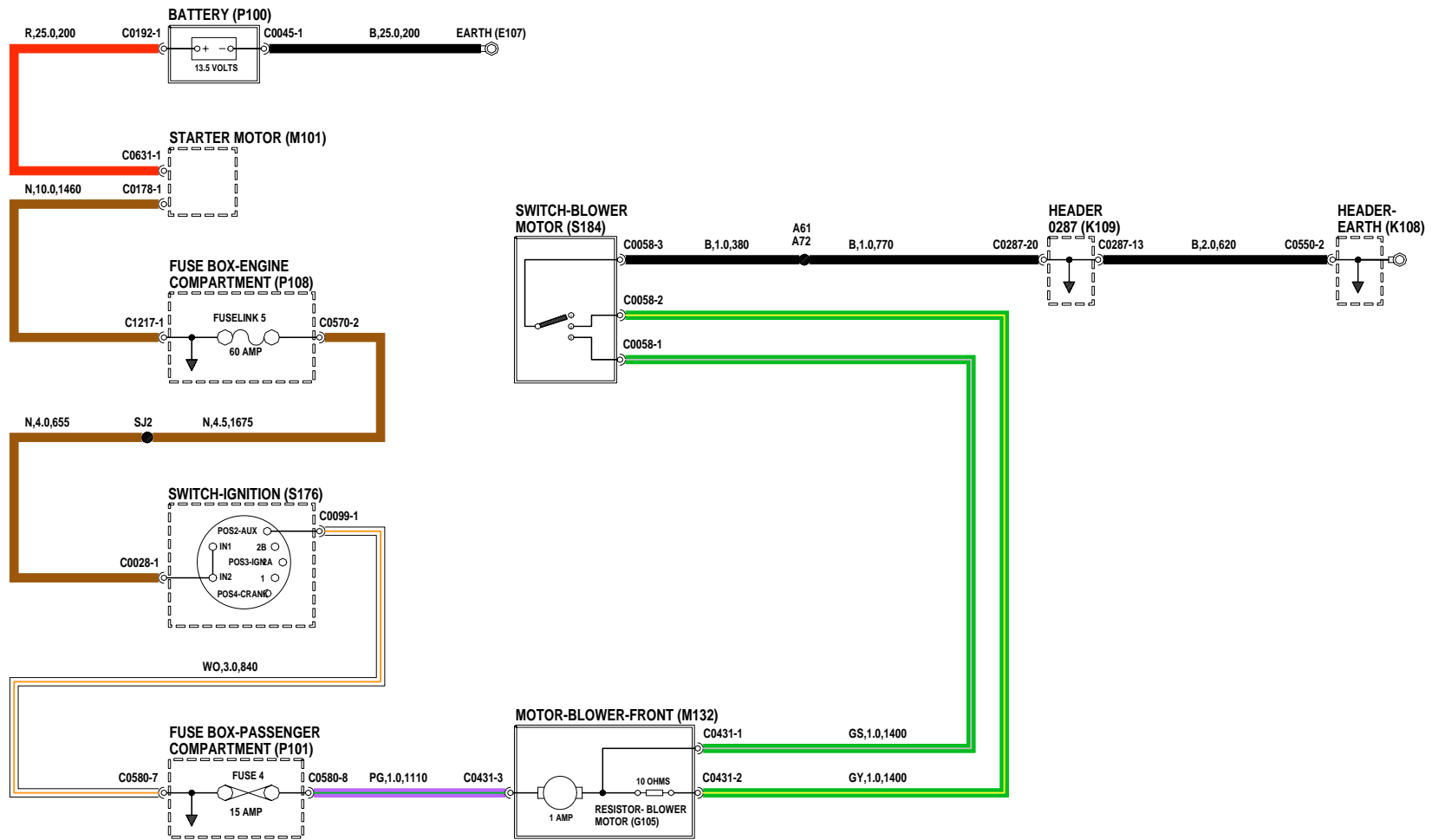
AIR CONDITIONING



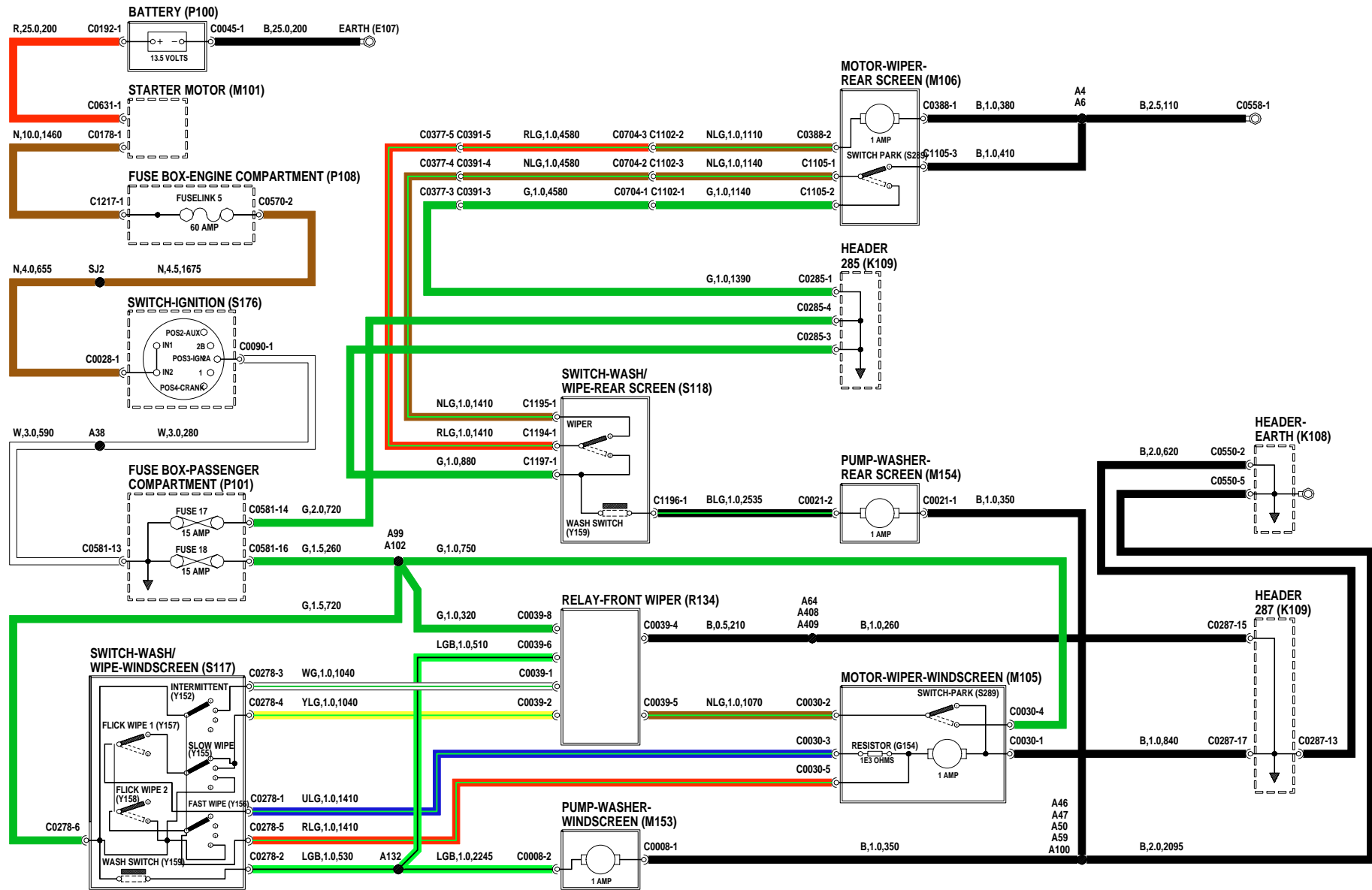
AIR CONDITIONING



HEATER

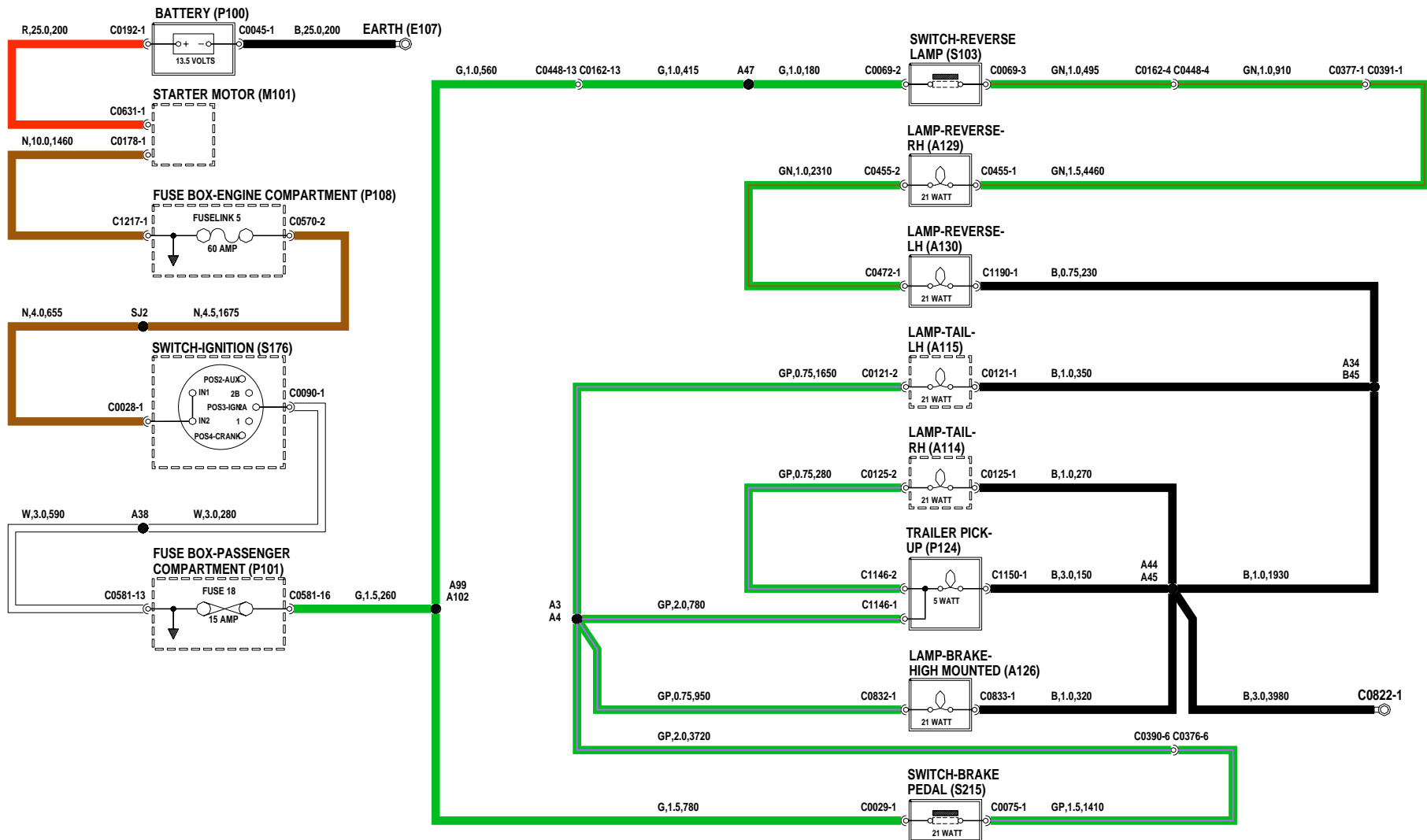


WIPERS AND WASHERS

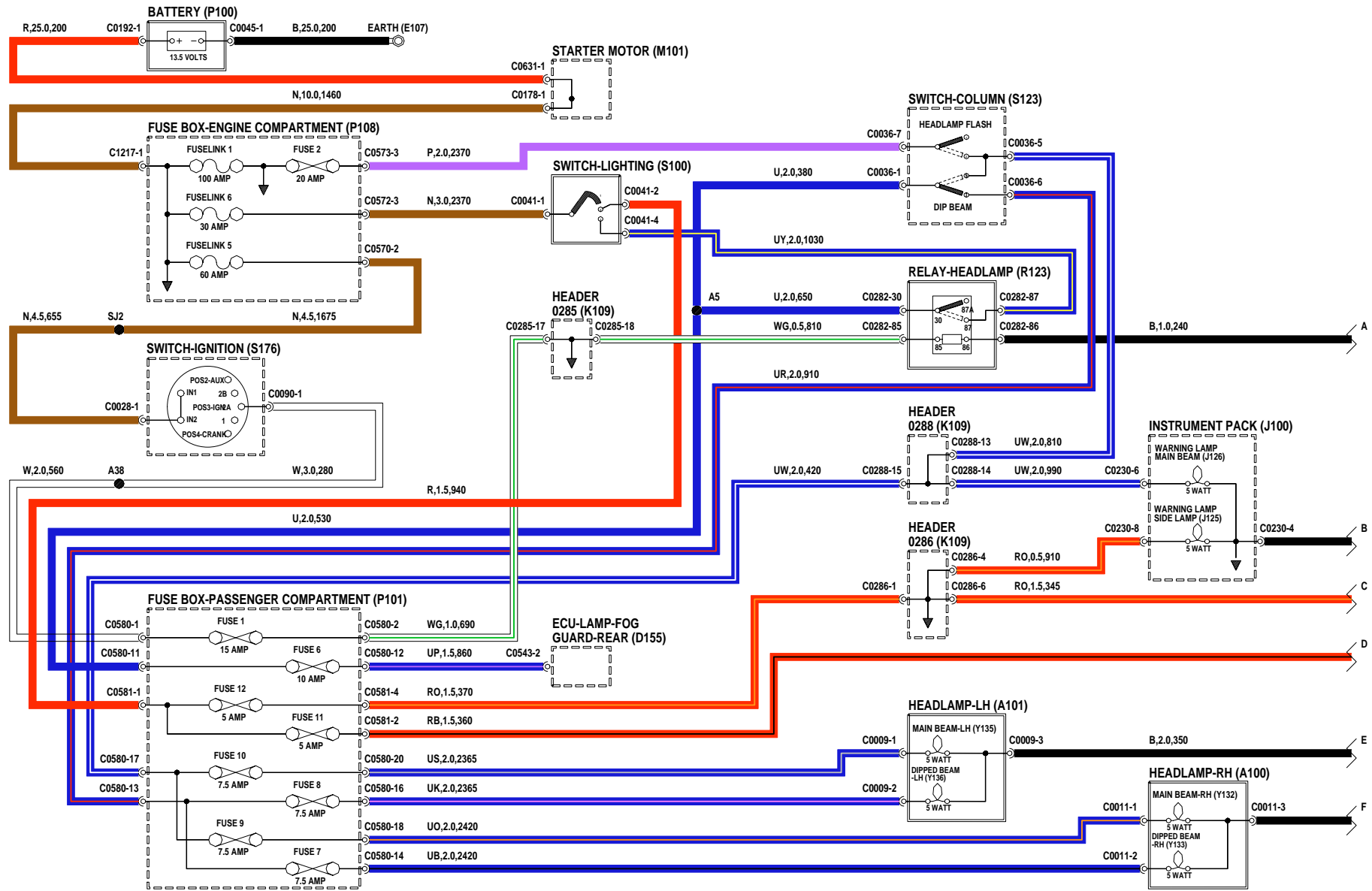


EXTERIOR LAMPS

BRAKE AND REVERSE LAMPS

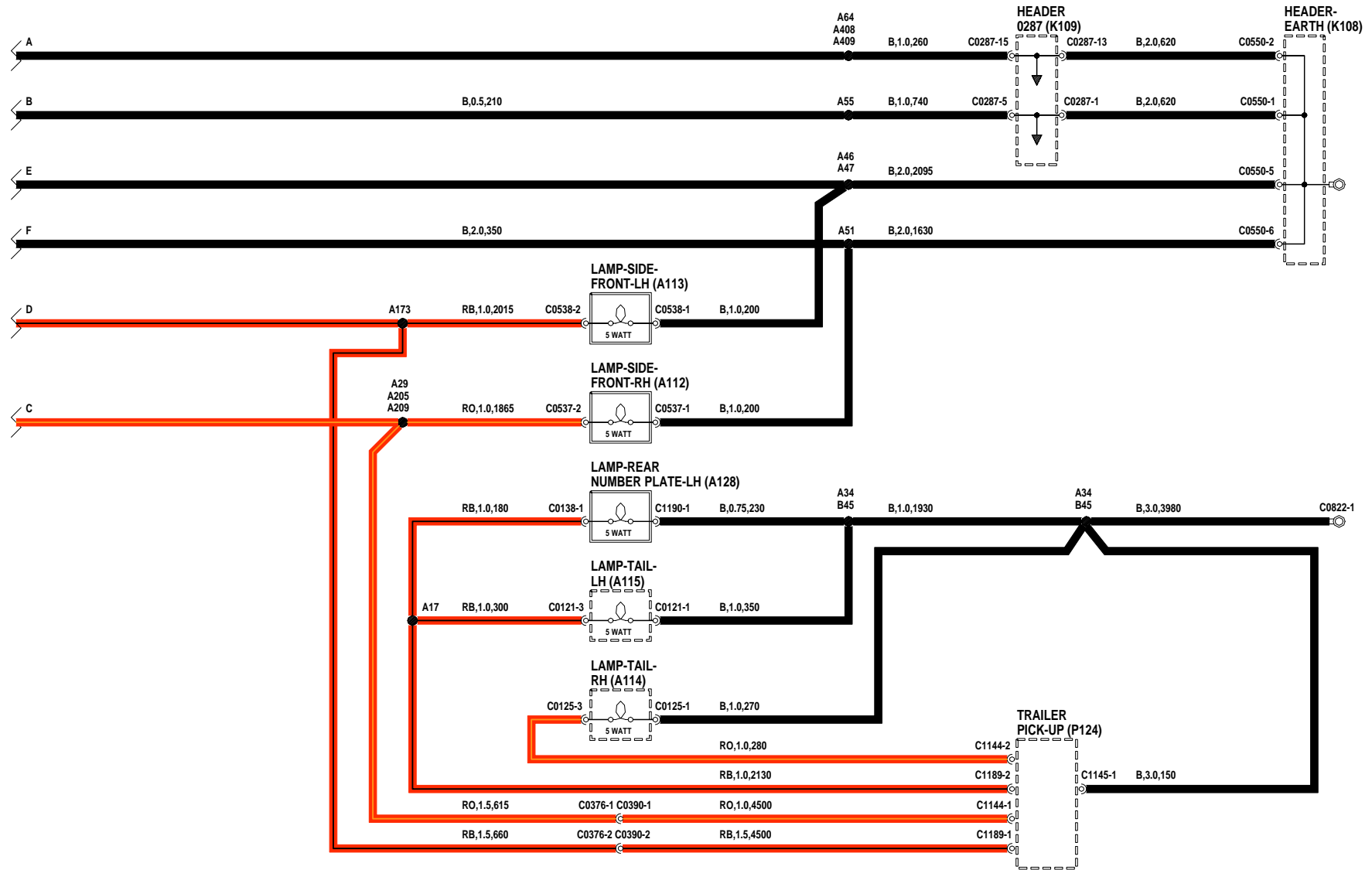


EXTERIOR LAMPS HEAD, SIDE AND TAIL LAMPS

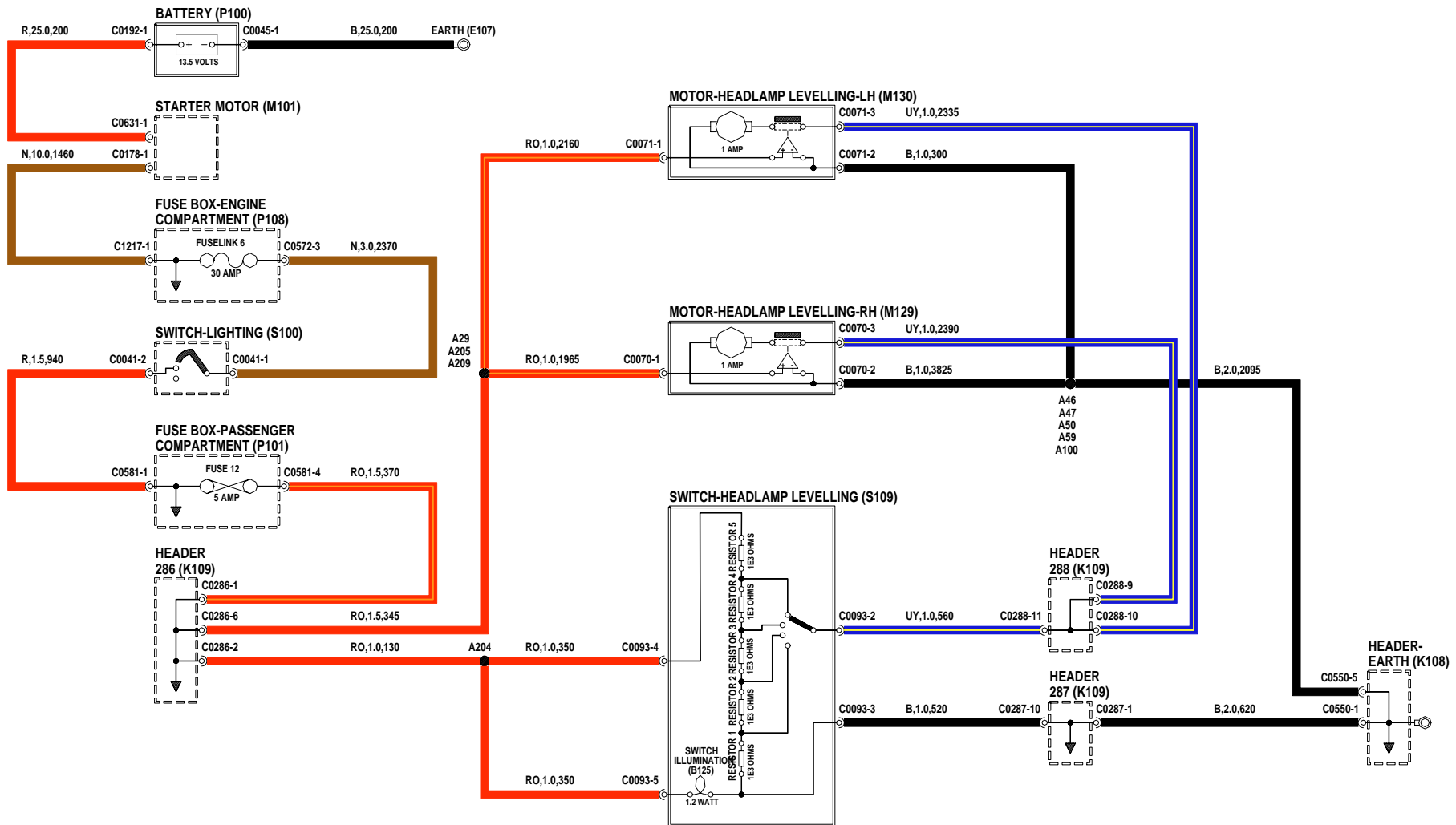


EXTERIOR LAMPS

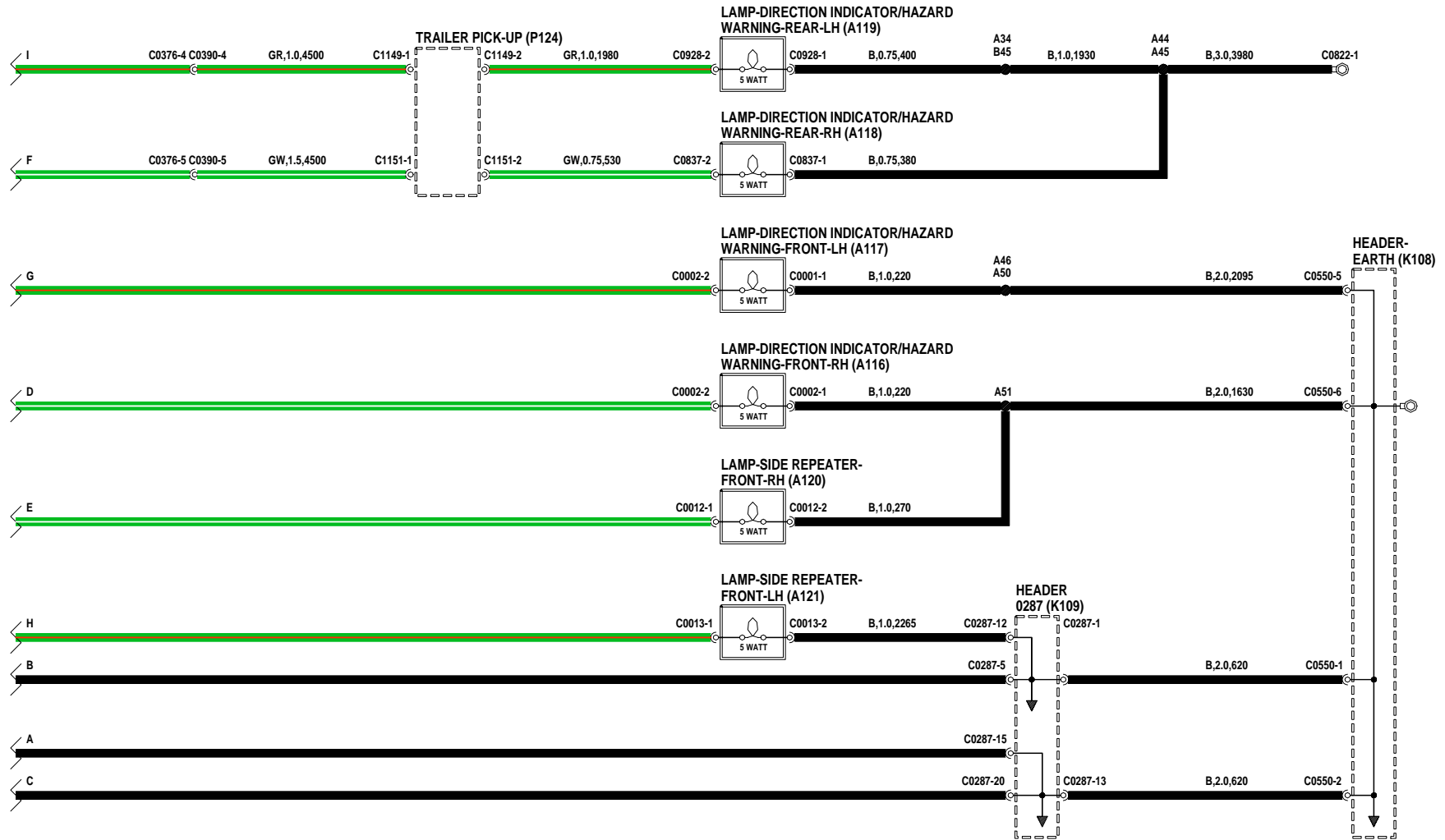
HEAD, SIDE AND TAIL LAMPS



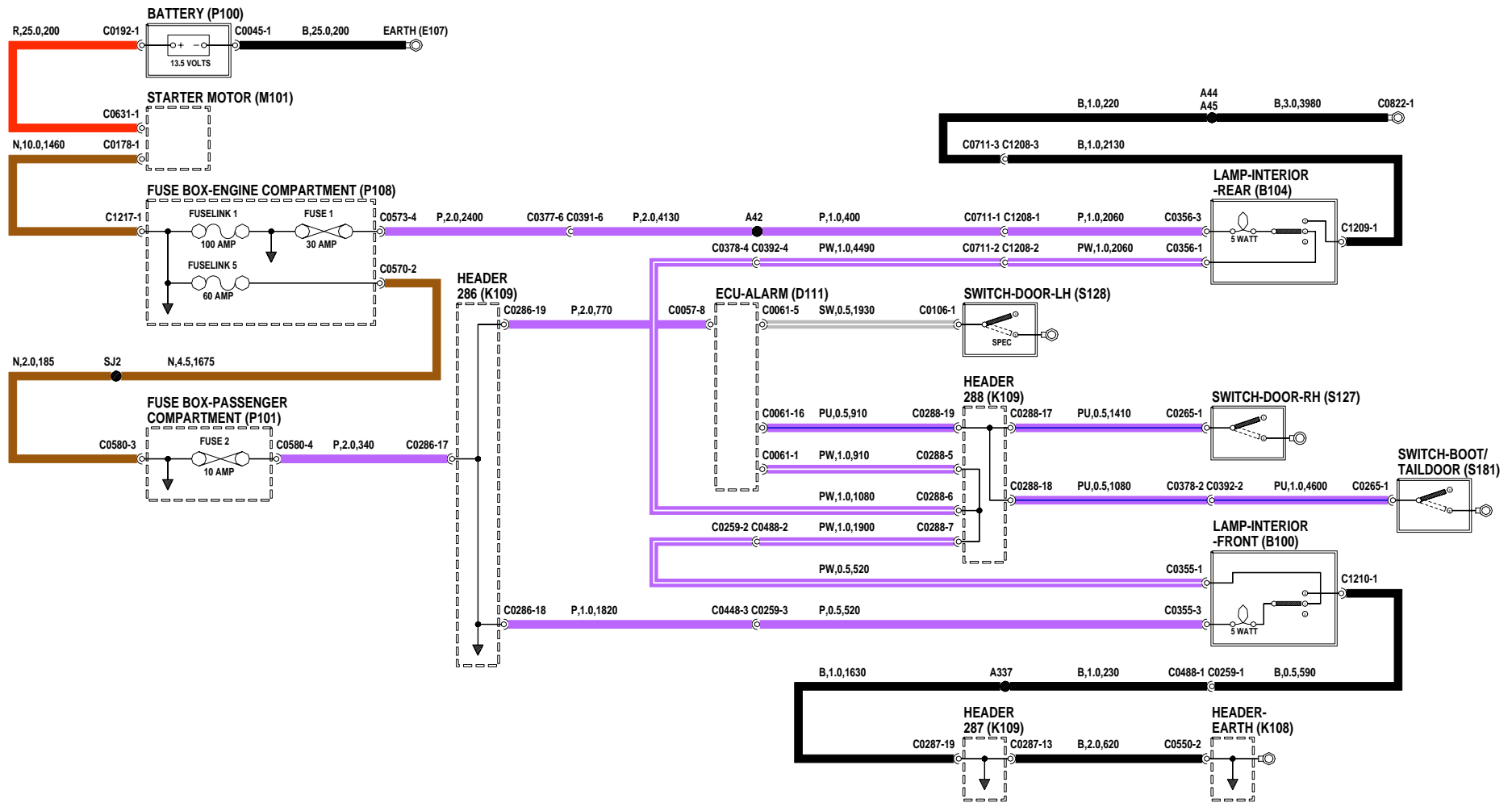
EXTERIOR LAMPS HEADLAMP LEVELLING



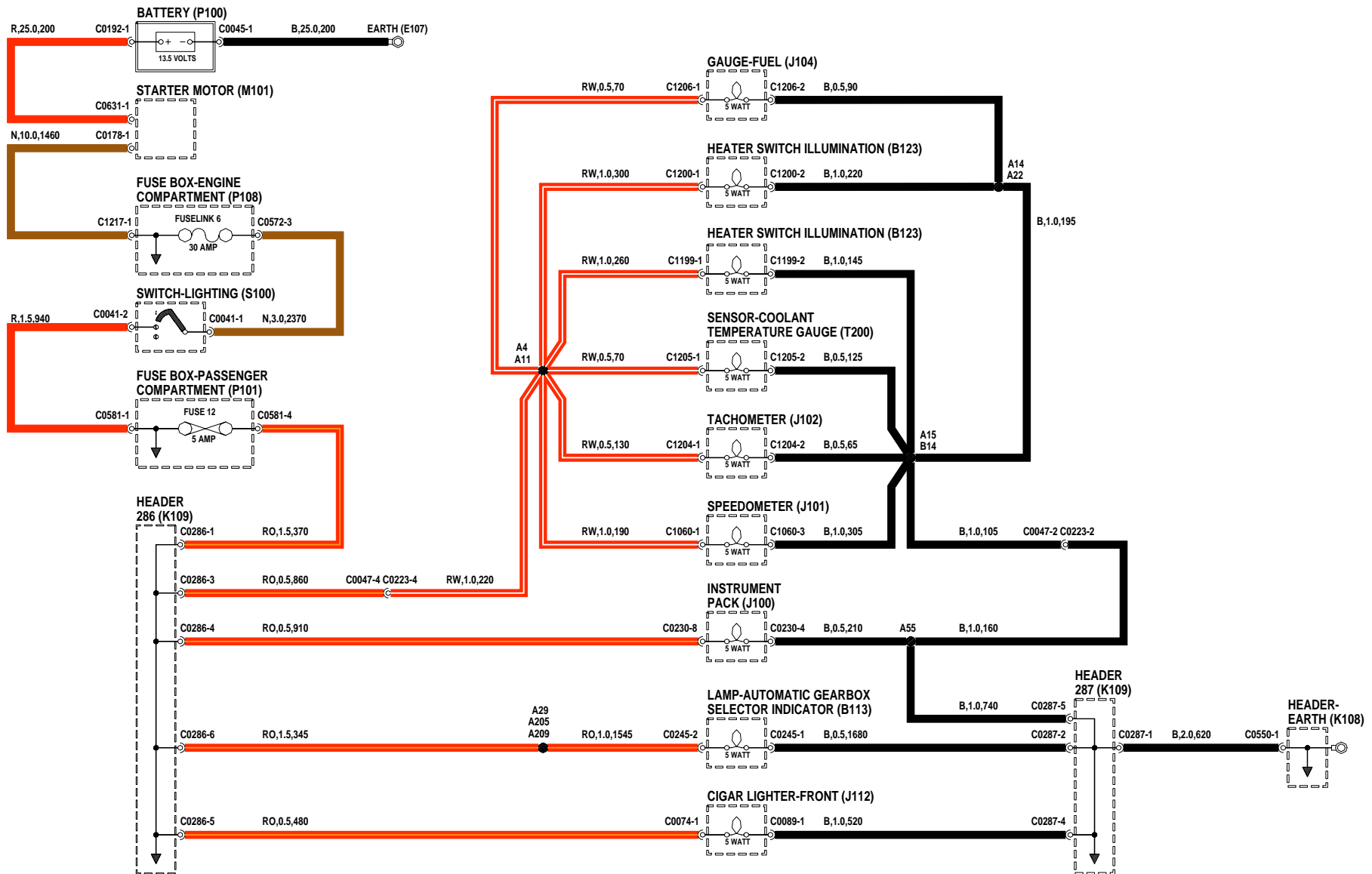
INDICATORS AND HAZARDS



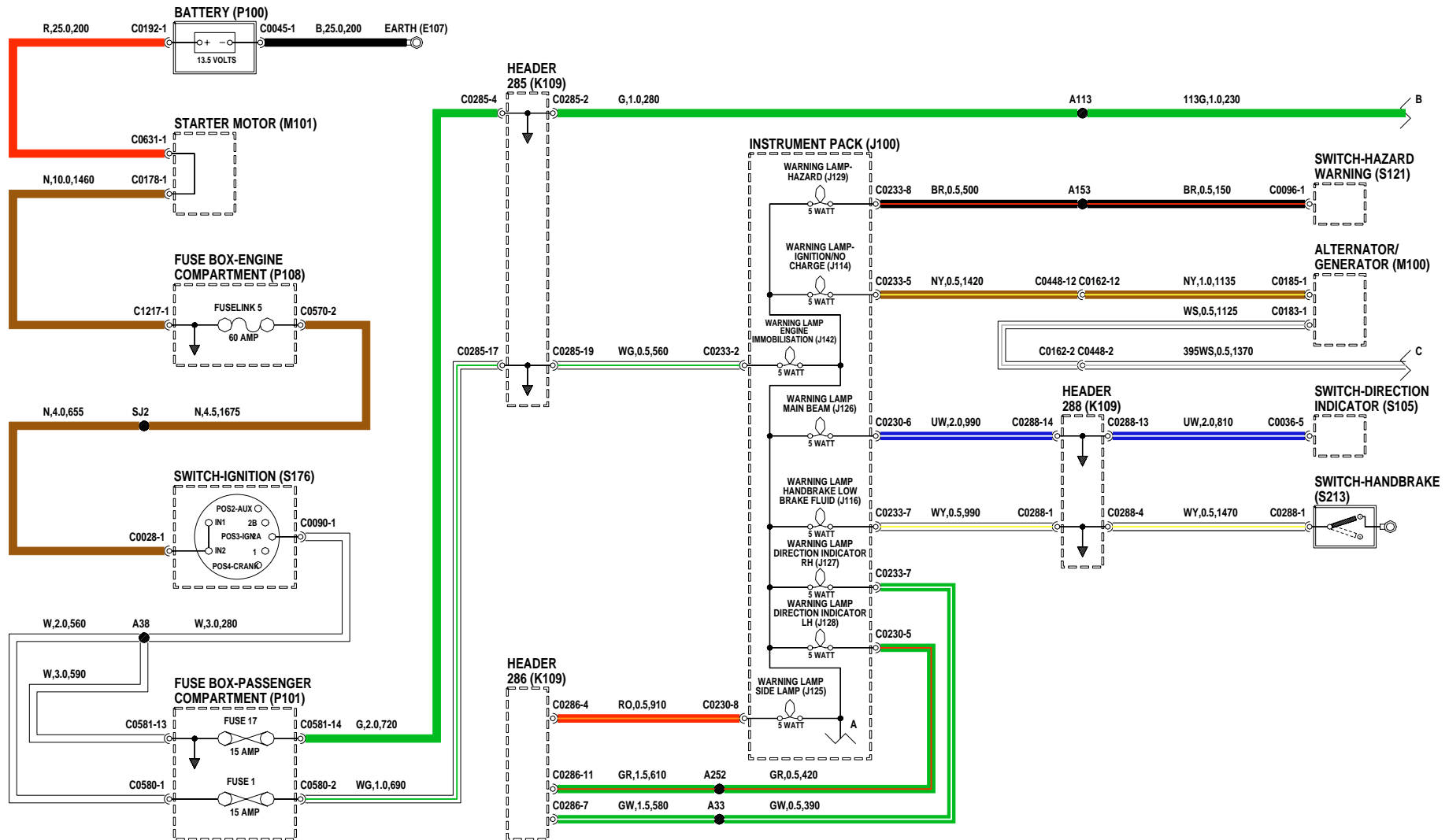
INTERIOR LAMPS



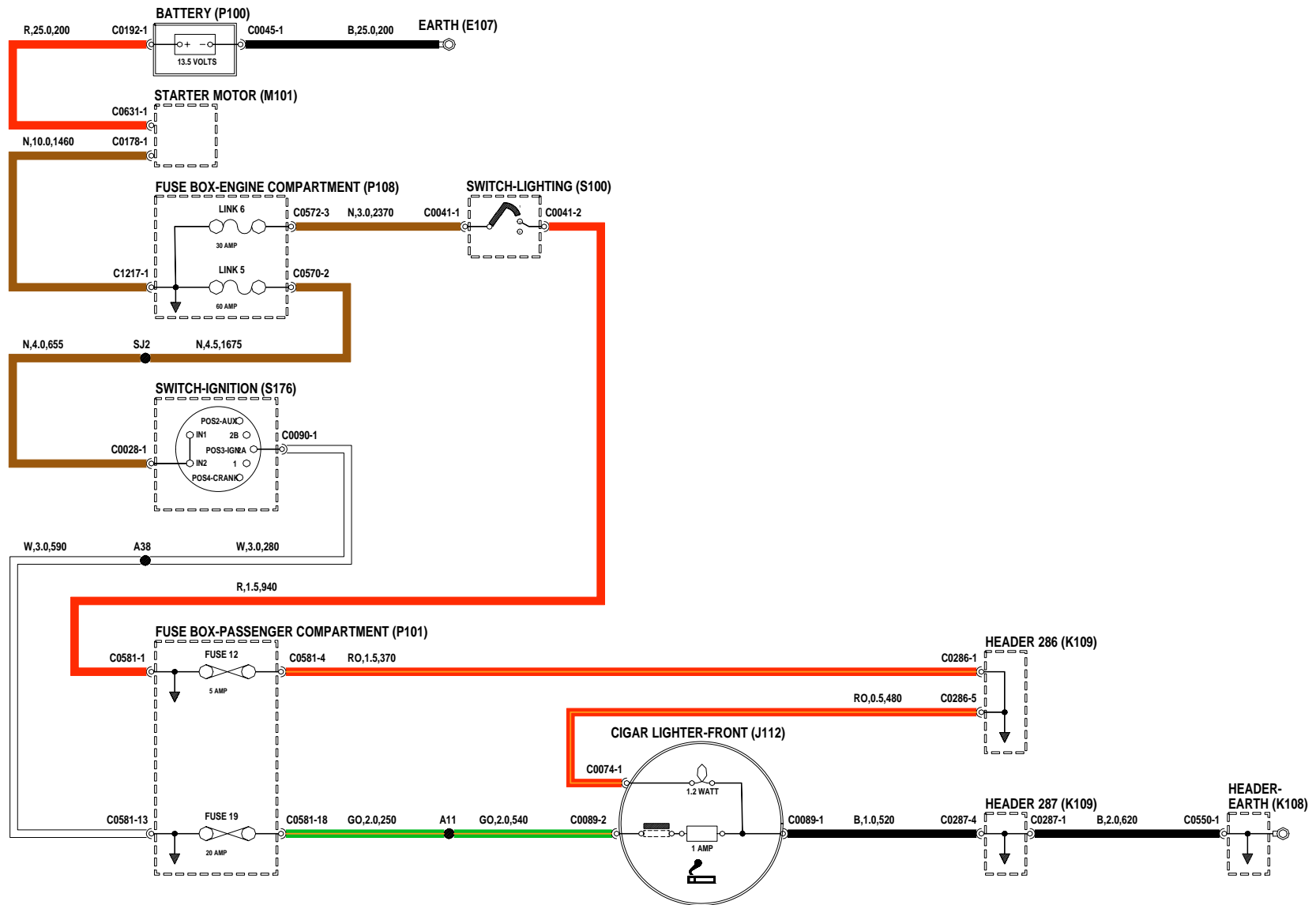
INTERIOR ILLUMINATION



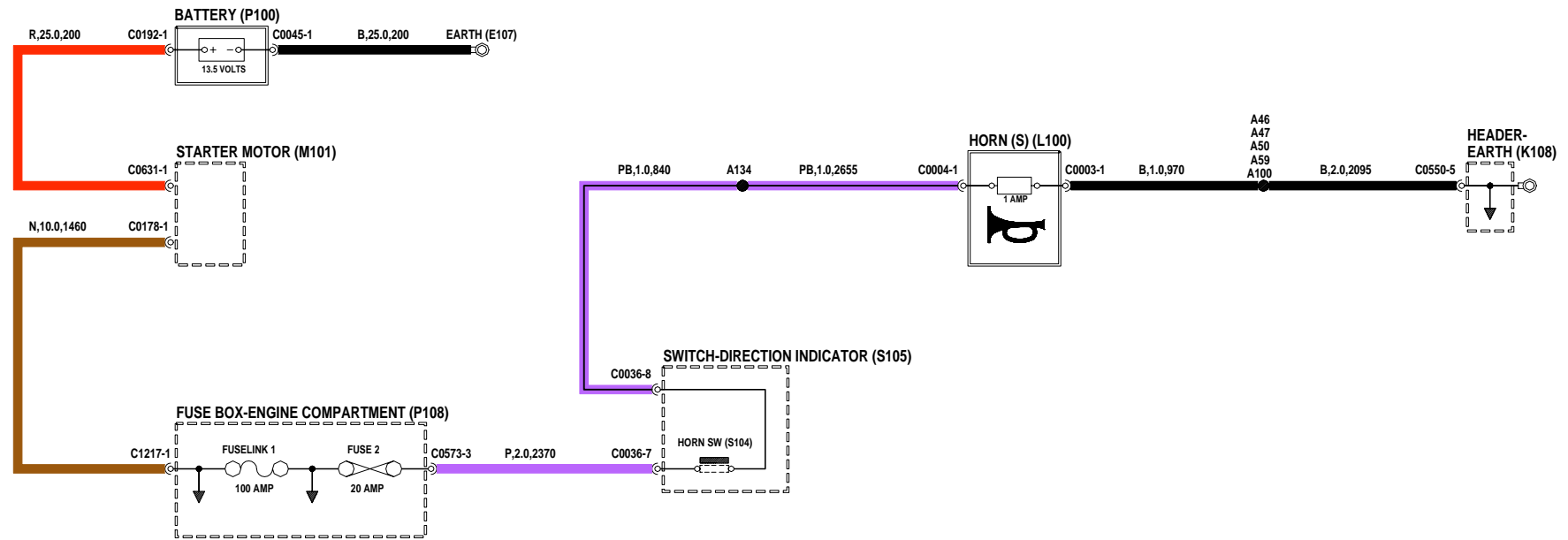
INSTRUMENTS



CIGAR LIGHTER



HORNS



IN-CAR ENTERTAINMENT

